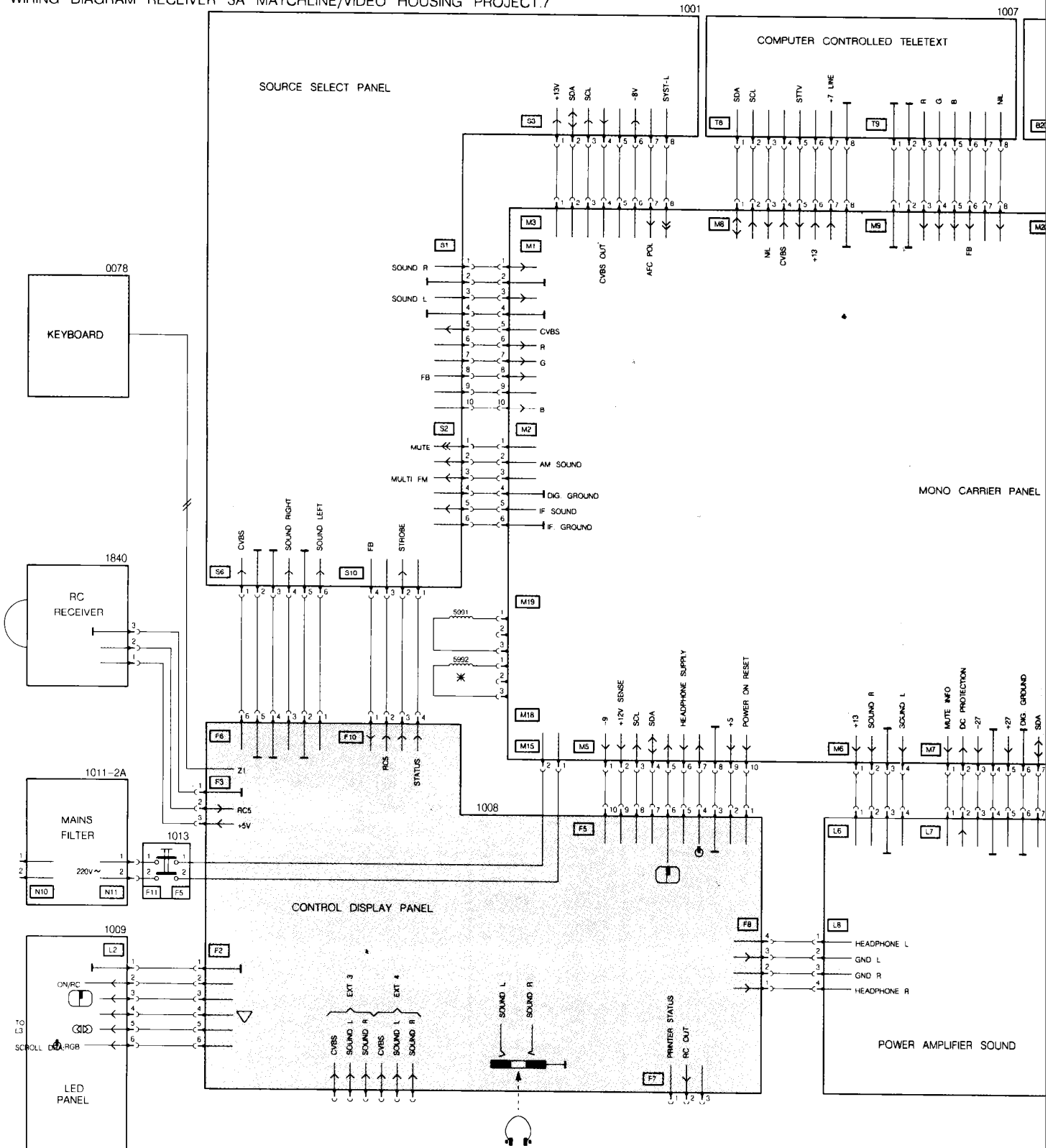
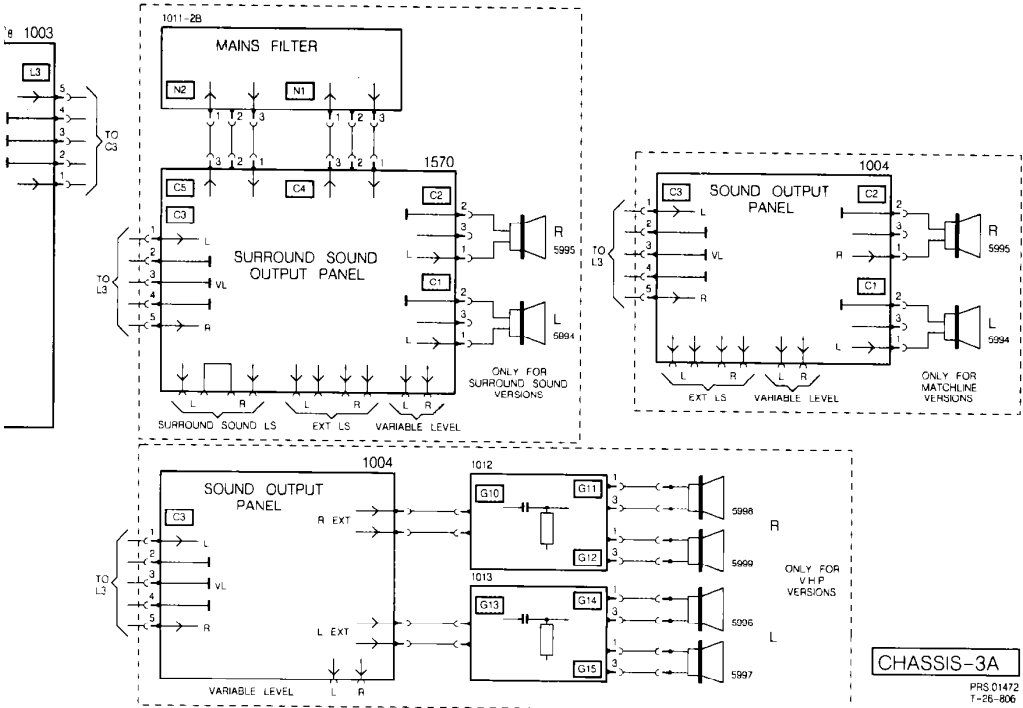
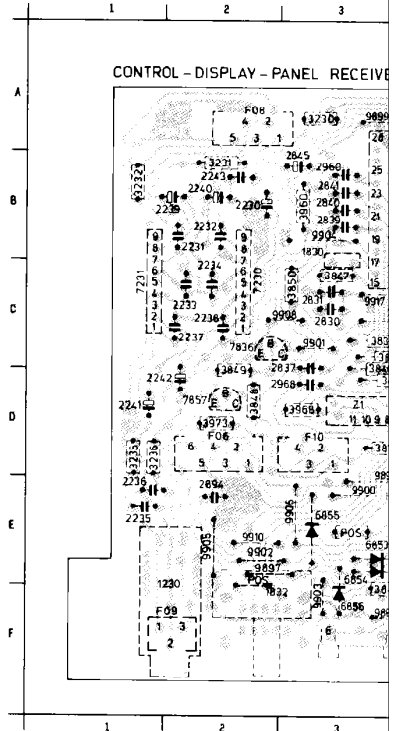
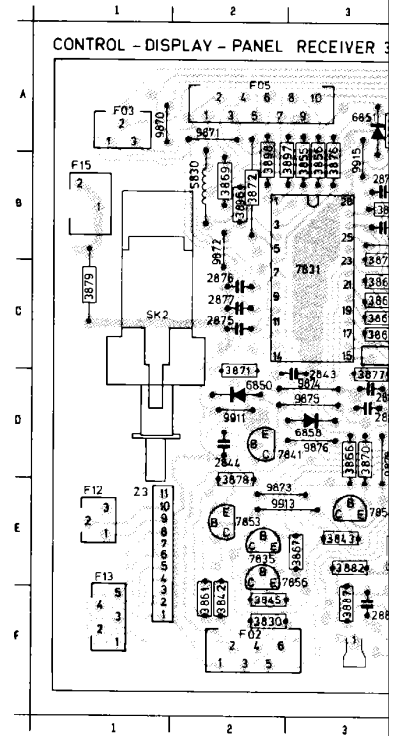
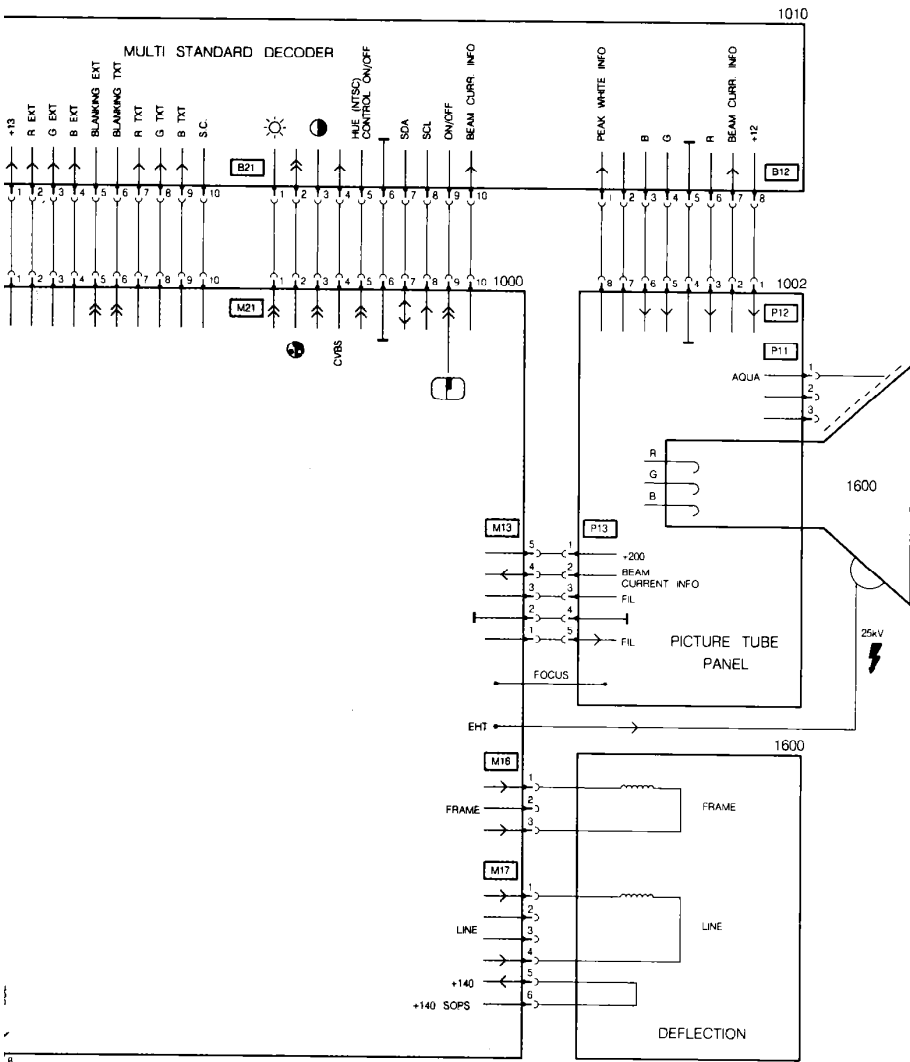


IV-F-2 CHASSIS 3A
1987-12-01

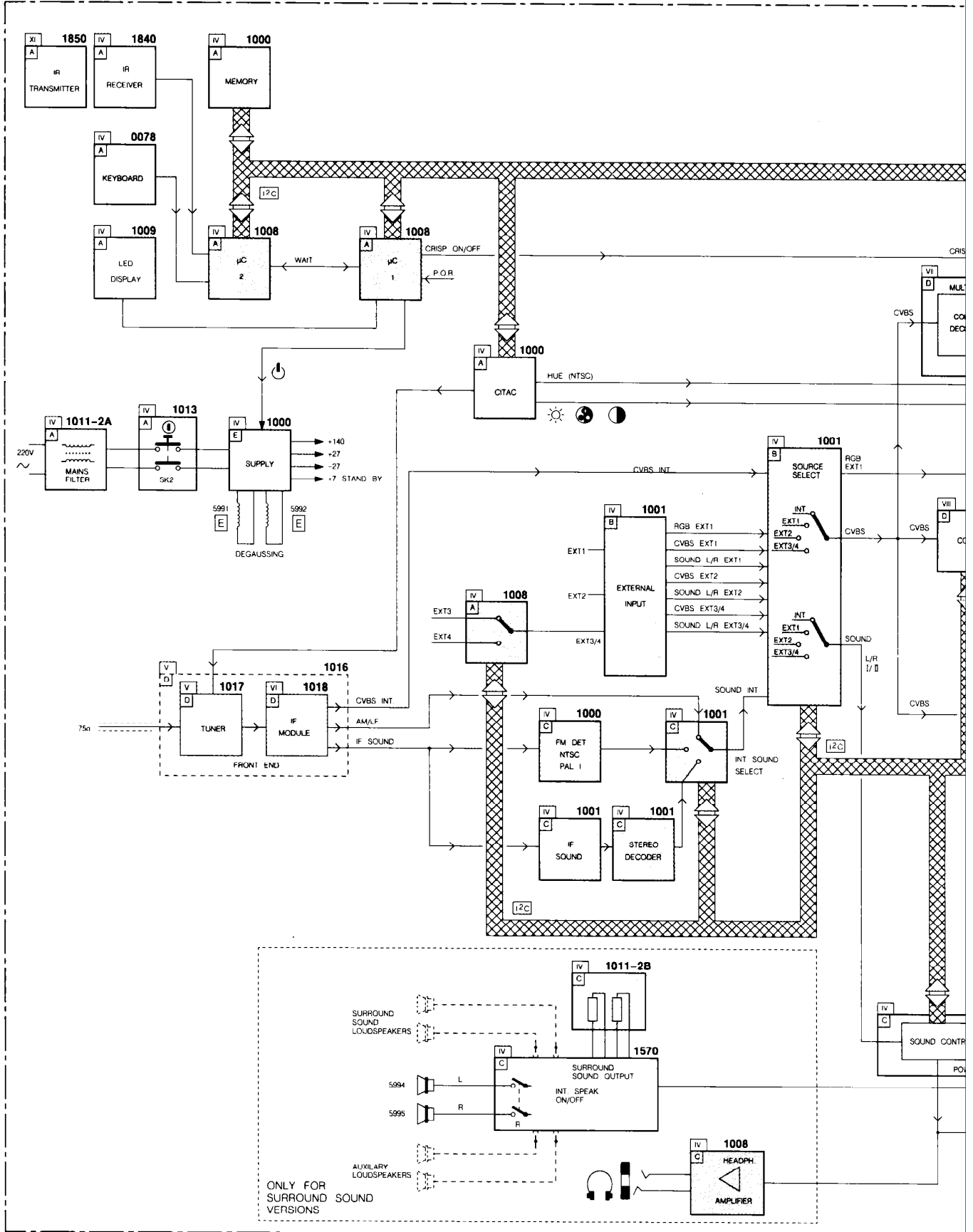
WIRING DIAGRAM RECEIVER 3A MATCHLINE/VIDEO HOUSING PROJECT.7

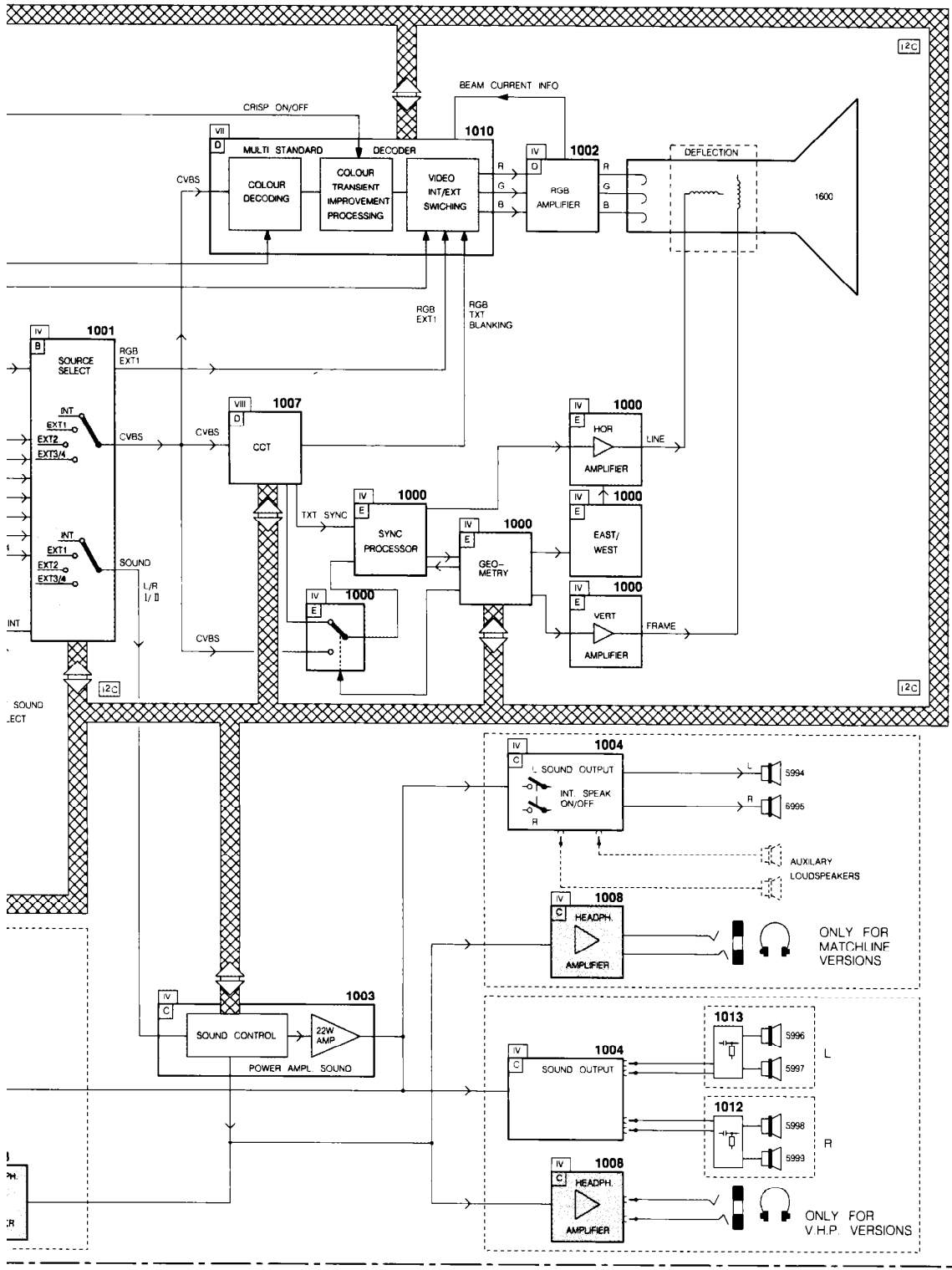


* ONLY PRESENT FOR 110 °F.S.



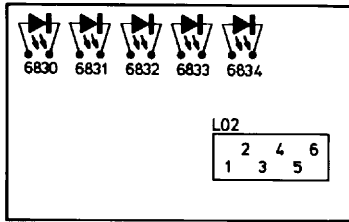
BLOCKDIAGRAM-3A RECEIVER MATCHLINE/VIDEO HOUSING PROJECT 7





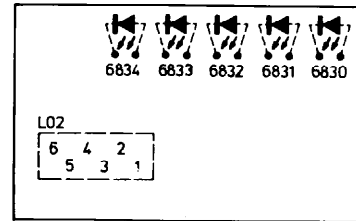
CHASSIS-3A

LED PANEL RECEIVER 3A



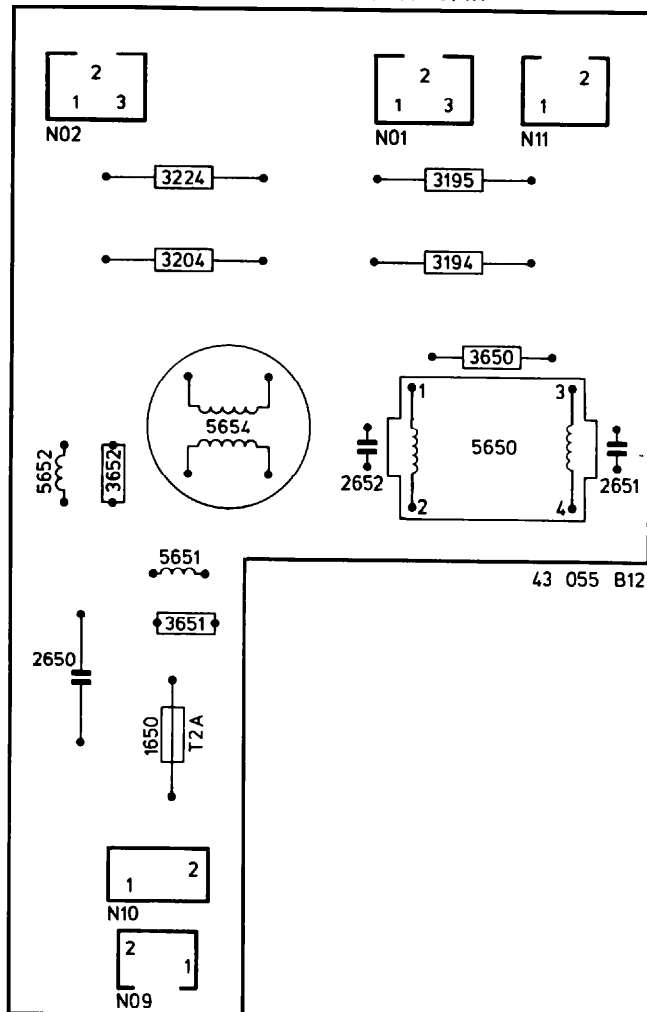
41293A13

LED PANEL RECEIVER 3A

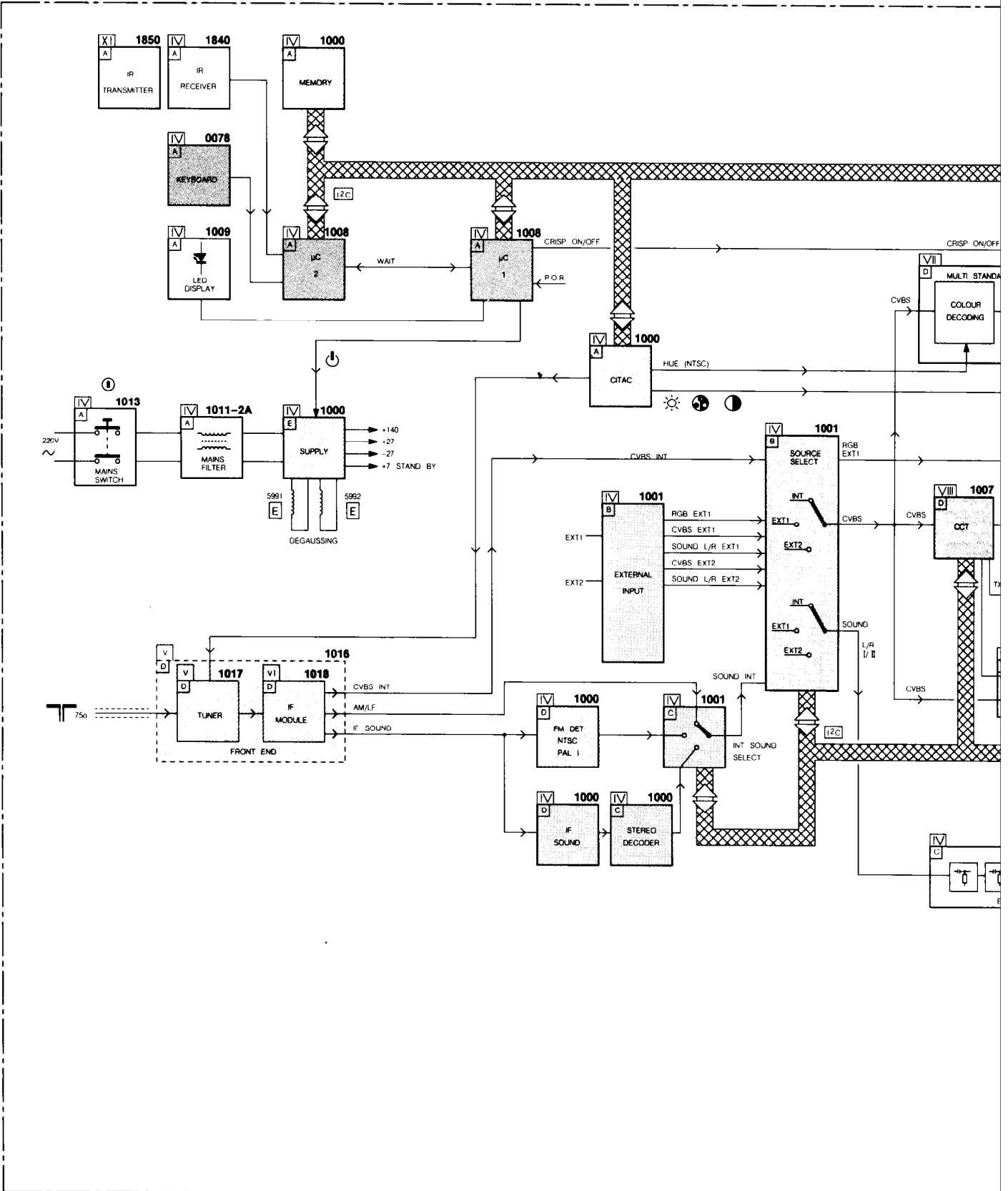


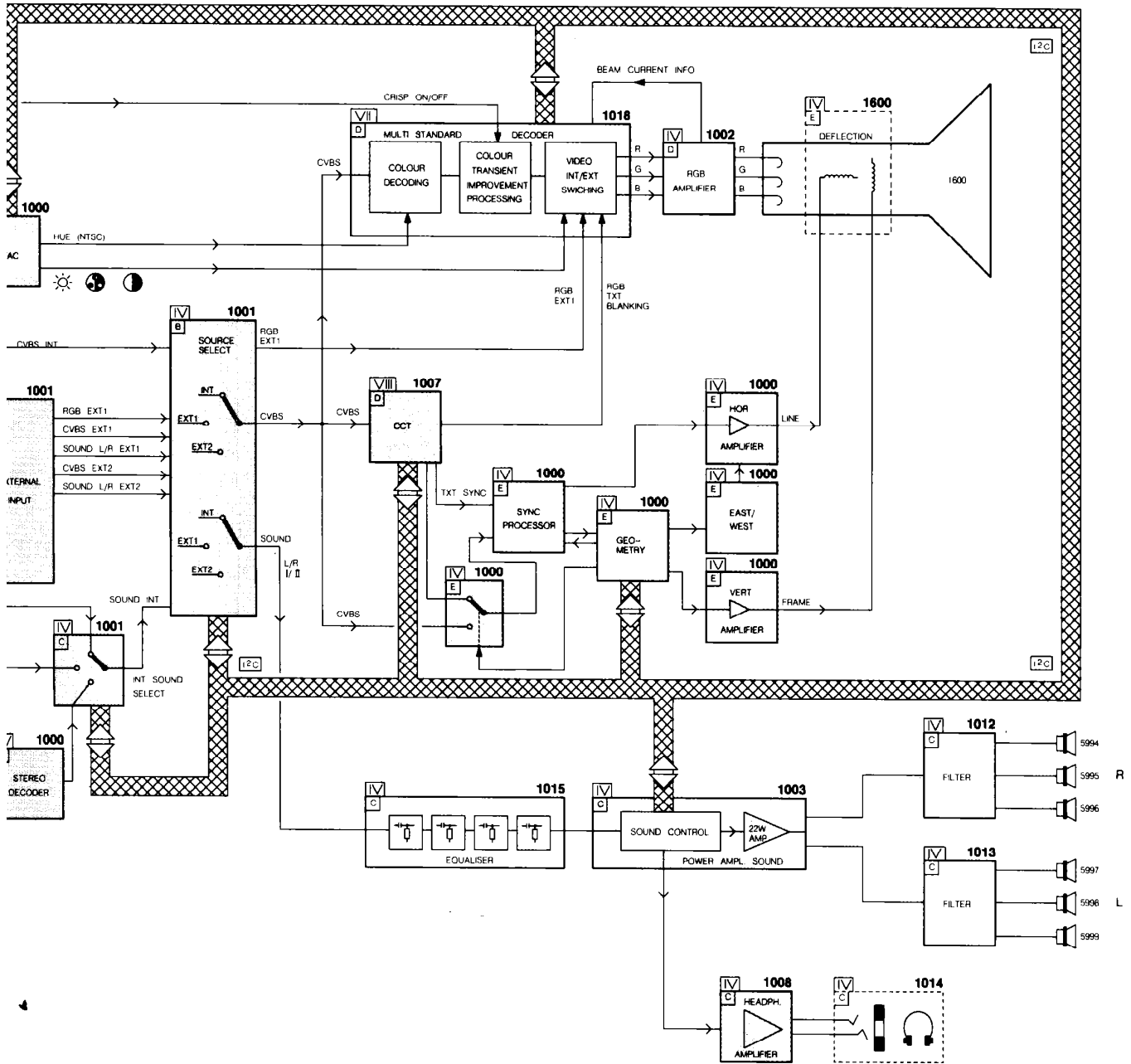
41294A13

MAINS FILTER PANEL RECEIVER 3A.7



BLOCKDIAGRAM 3A HIFI .5

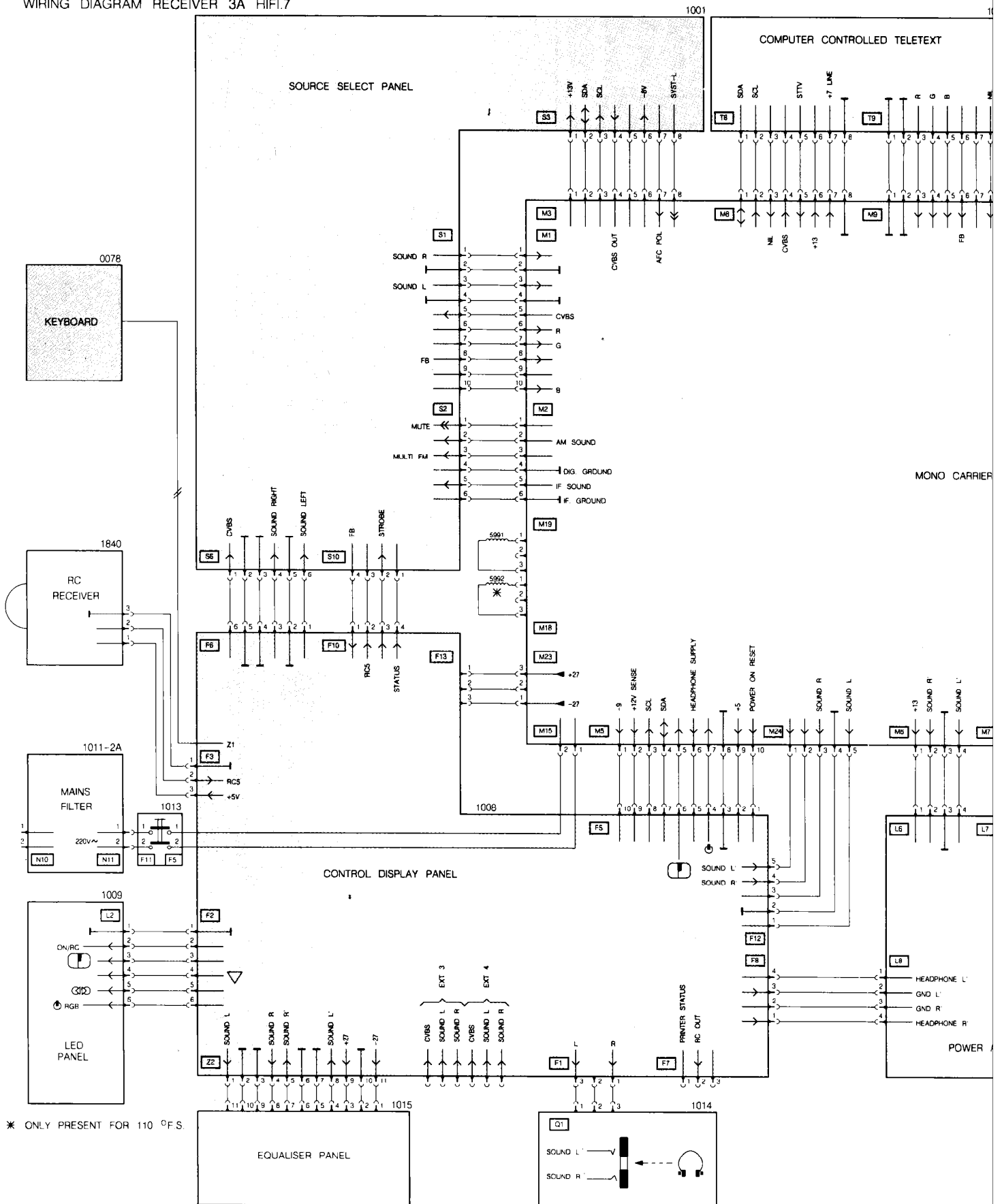




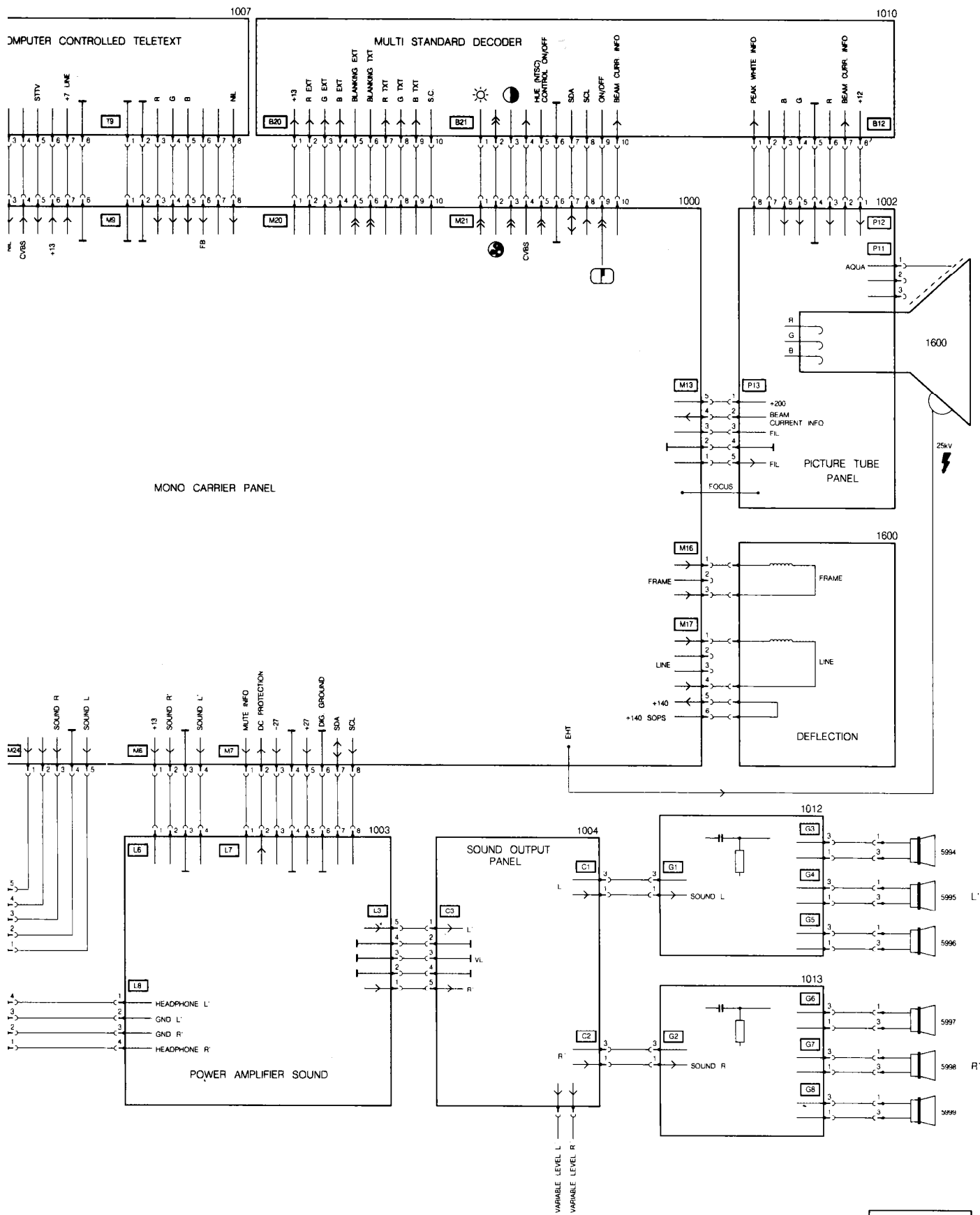
CHASSIS-3A

IV-F-4 CHASSIS 3A
1987-12-01

WIRING DIAGRAM RECEIVER 3A HIFI.7



* ONLY PRESENT FOR 110 °F.S.



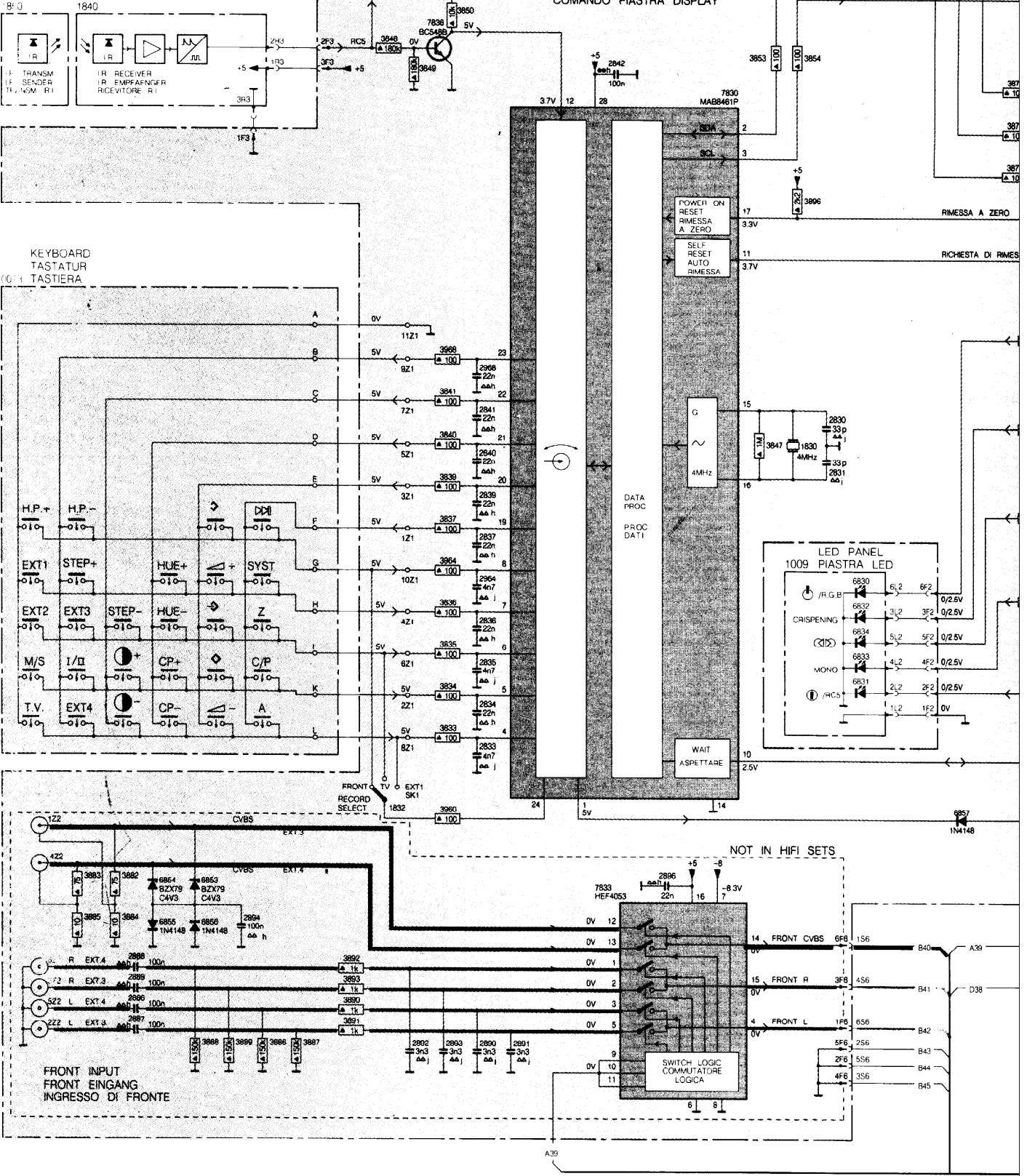
CHASSIS-3A

PHS 02518
132-802

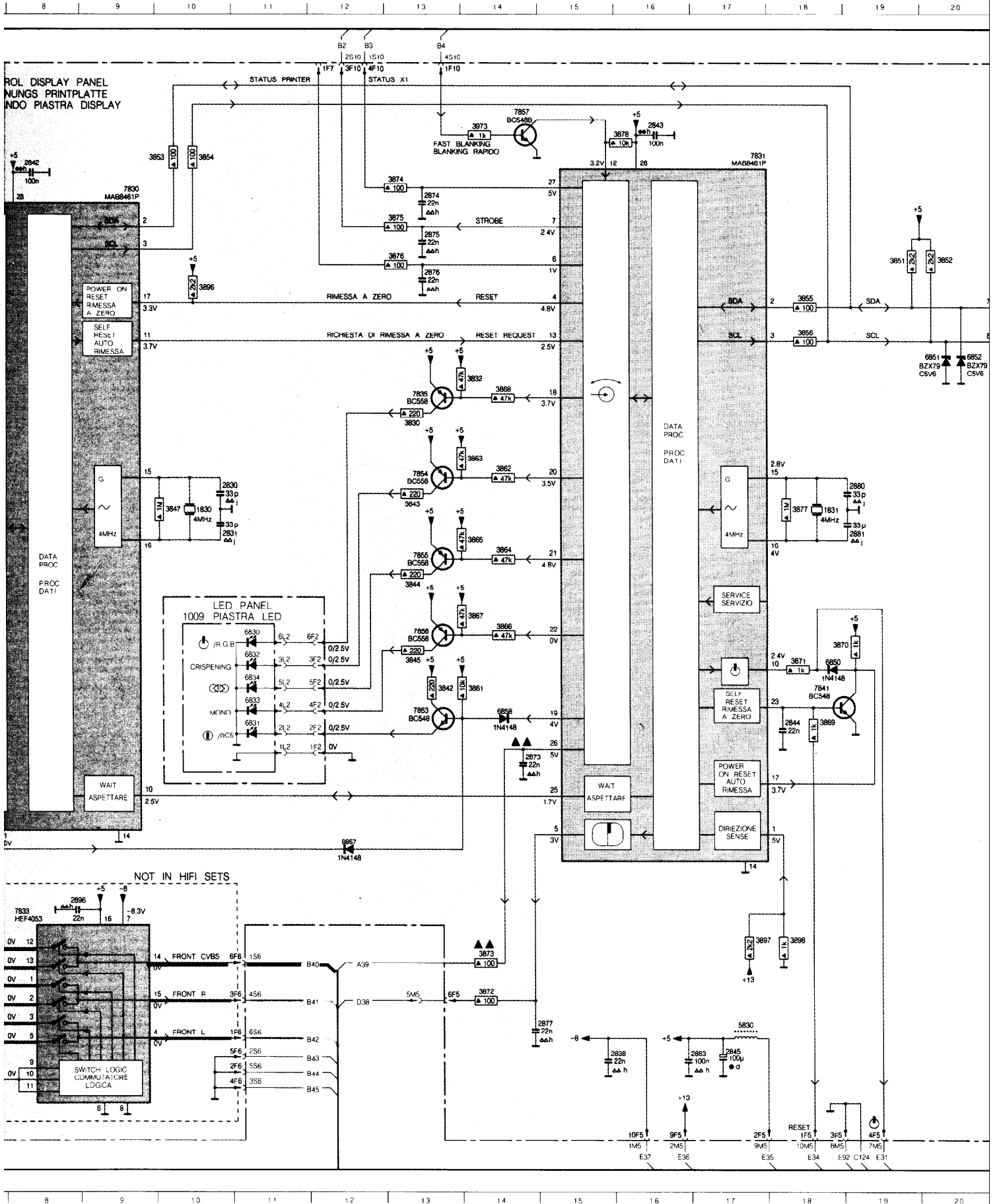
DIAGRAM-SCHALTBILD-SCHEMA A.7

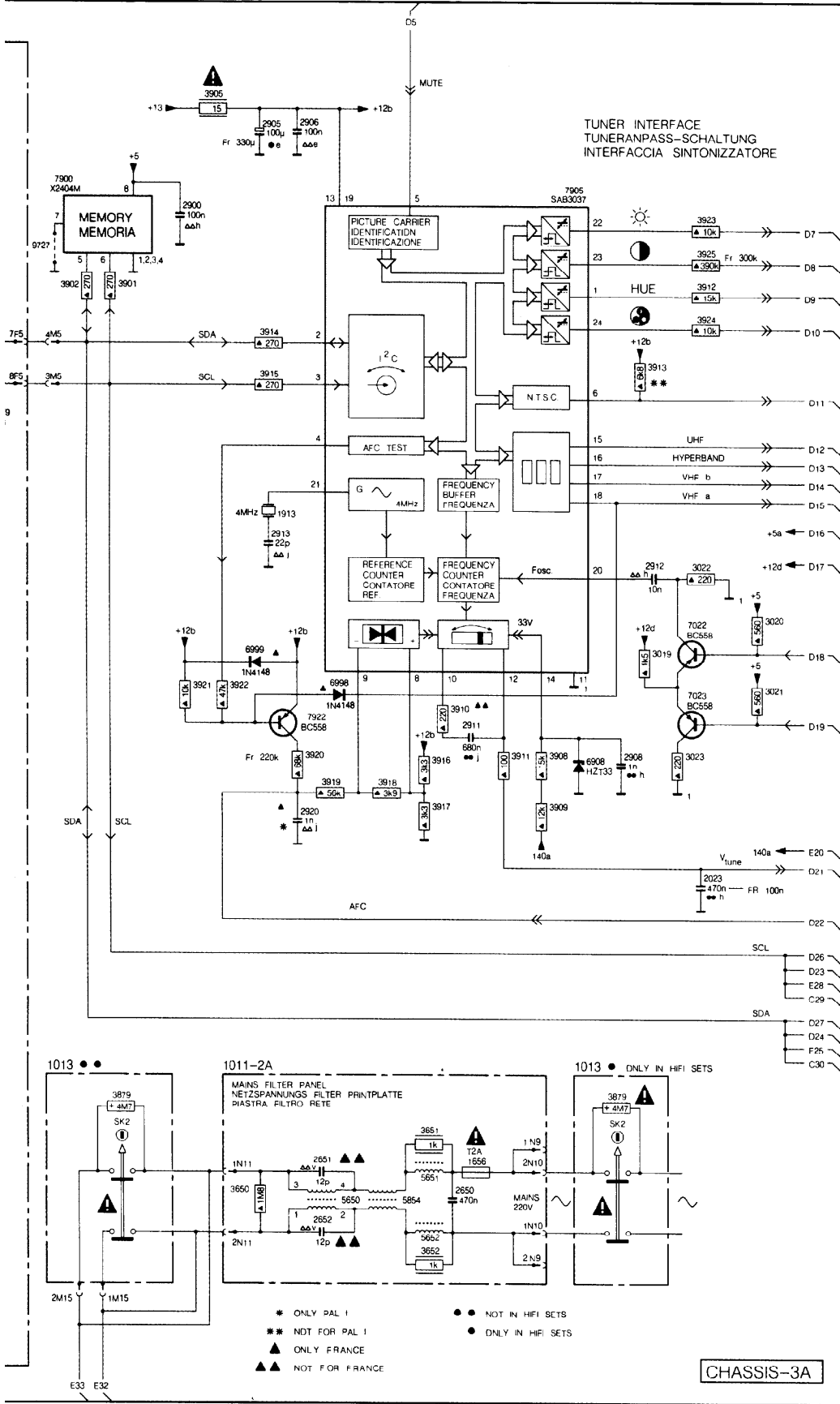
C.D.P. CONTROL DISPLAY PANEL
BEDIENUNGS PRINTPLATTE
COMANDO PIASTRA DISPLAY

STATUS PRINTER
STATUS



CHASSIS 3A IV-F-5
1987-12-01





TUNER INTERFACE
TUNER-ANPASS-SCHALTUNG
INTERFACCIA SINTONIZZATORE

ONLY IN HIFI-VHP SETS	NOT IN HIFI-VHP SETS
F09 4F	Z2
Z3	1230 HEADPHONE
F13 3F	1832 RECORD SELECT
F06 6F	
F12 5F	F02 6F
F02 6F	2873 22n
	2886 100n
	2867 100n
	2888 100n
	2889 100n
	2891 3n3
	2892 3n3
	2893 3n3
	2894 100n
	2896 22n
	2873 100n
	3882 75n
	3883 75n
	3884 10u
	3885 10u
	3886 150k
	3887 150k
	3888 150k
	3889 150k
	3890 1k
	3891 1k
	3892 1k
	3893 1k
	6853 BZX79-C4V3
	6854 BZX79-C4V3
	6855 1N4148
	6856 1N4148
	7833 HEF4053
	9868 JUMPER
	9893 JUMPER
	9897 JUMPER
	9898 JUMPER
	9902 JUMPER
	9903 JUMPER
	9905 JUMPER
	9906 JUMPER
	9912 JUMPER

0078	E 1	3960	K
1008	A 6	3964	H
1009	H10	3989	F
1011	L23	3973	B1
1013	L21	5650	M2
1013	L27	5654	M2
A	1655	M25	5830
1830	G10	8830	H1
1831	G18	8831	J1
1840	B 2	8832	I1
1850	B21	8833	I1
1913	F23	8834	I1
2023	J28	8850	I1
2650	M25	8851	E2
2651	M24	8852	E2
B	2682	M24	8853
2830	F11	8854	L
2831	G11	8855	L
2833	J 6	8856	L
2834	J 6	8857	K1
2835	I 6	8858	I1
2836	I 6	8908	I2
2837	H 6	8936	H2
8836	N16	8999	G2
C	2839	G 6	7022
2840	G 6	7023	H2
2841	G 6	7830	C
2842	B 8	7831	B1
2843	B16	7833	L
2844	J18	7835	E1
2845	N17	7836	B
2847	M1	7837	L
2874	C13	7853	I1
2875	C13	7854	F1
D	2876	D13	7855
2877	M1	7856	H1
2880	F19	7857	R1
2881	G19	7900	B2
2883	N17	7905	C2
2886	M 2	7922	H2
2887	N 2	9727	C2
2889	M 2	SK2	L2
E	2890	N 2	SK2
2891	N 7		
2892	N 6		
2893	N 6		
2894	L 4		
2896	L 8		
2900	C22		
2905	B23		
F	2906	B24	
2908	H27		
2911	H25		
2912	F27		
2913	F23		
2920	I24		
2964	H 6		
2968	F 6		
G	3019	G27	
3022	F28		
3023	H28		
H	3023	H28	
3025	M23		
3051	L25		
3052	N25		
I	3810	F13	
3812	C14		
3813	J 6		
3814	J 6		
3815	I 8		
3816	I 6		
H	3817	H 6	
3819	G 6		
3840	G 6		
3841	F 6		
3842	I13		
3843	G13		
3844	H13		
3845	I13		
3847	G10		
3848	B 5		
3849	B 6		
3850	F 6		
3851	D19		
3852	D20		
3853	B10		
3854	B10		
3855	D18		
3856	D18		
J	3861	I14	
3862	F14		
3863	F14		
3864	G14		
3865	G14		
K	3866	H14	
3867	H14		
3868	E14		
3869	J18		
3870	I19		
3871	I18		
L	3872	M14	
3873	M14		
3874	B13		
3875	C13		
3876	C13		
3877	G18		
3878	B16		
3879	L22		
M	3879	L22	
3882	L 2		
3883	L 2		
3884	L 2		
3885	L 2		
3886	N 4		
3887	N 4		
3888	N 3		
3889	N 3		
3890	M 5		
3891	N 5		
3892	M 5		
N	3901	D22	
3902	D21		
3905	A23		
3906	H26		
3909	I26		
3910	H25		
3911	H26		
3912	D28		
3913	D27		
3914	D23		
3915	D23		
3916	I25		
3917	I25		
3918	I24		
O	3919	H24	
3920	H24		
3922	H23		
3923	C28		
3924	D28		
3925	C28		

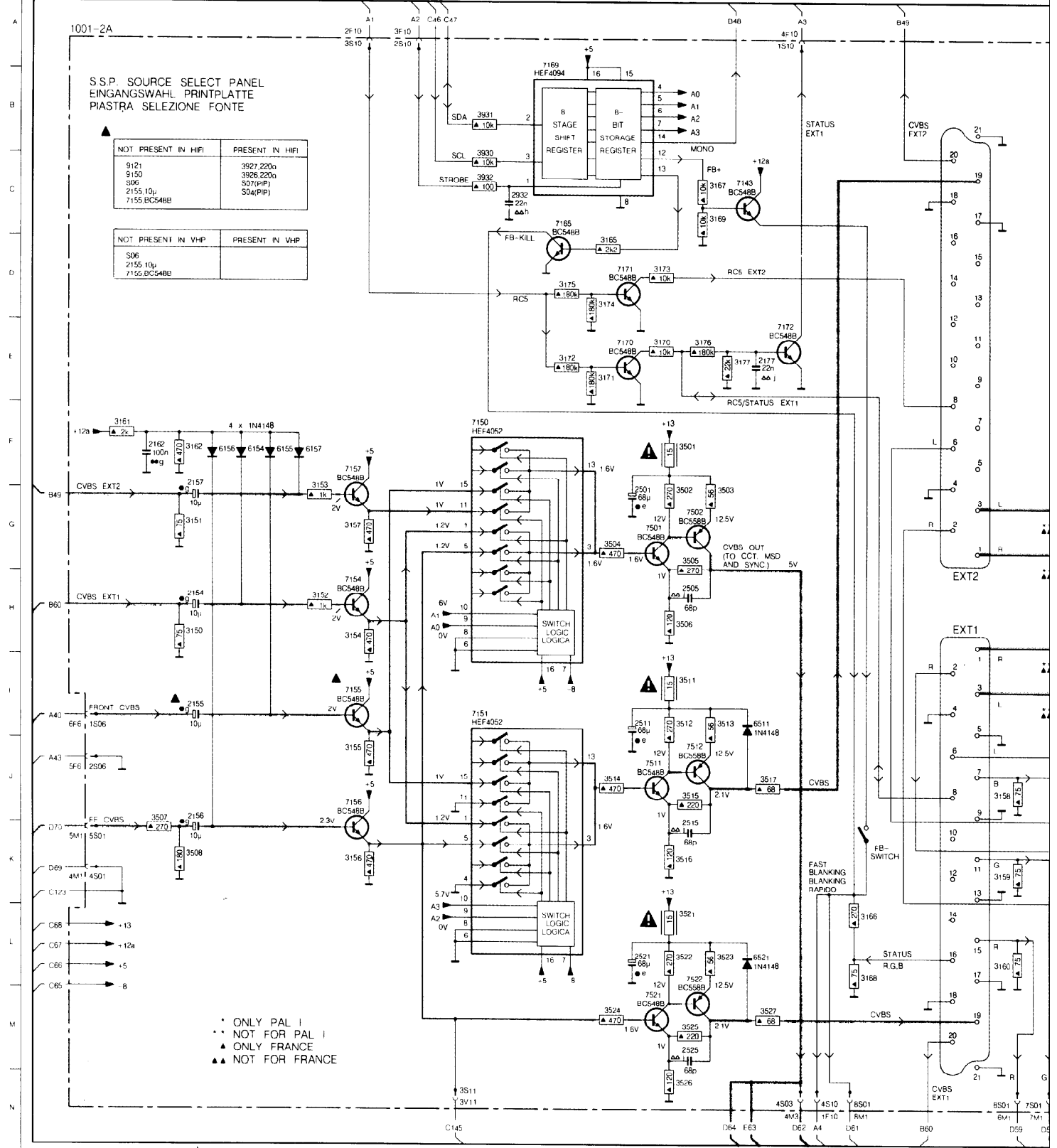
CHASSIS-3A

PRS 01221
T26-806

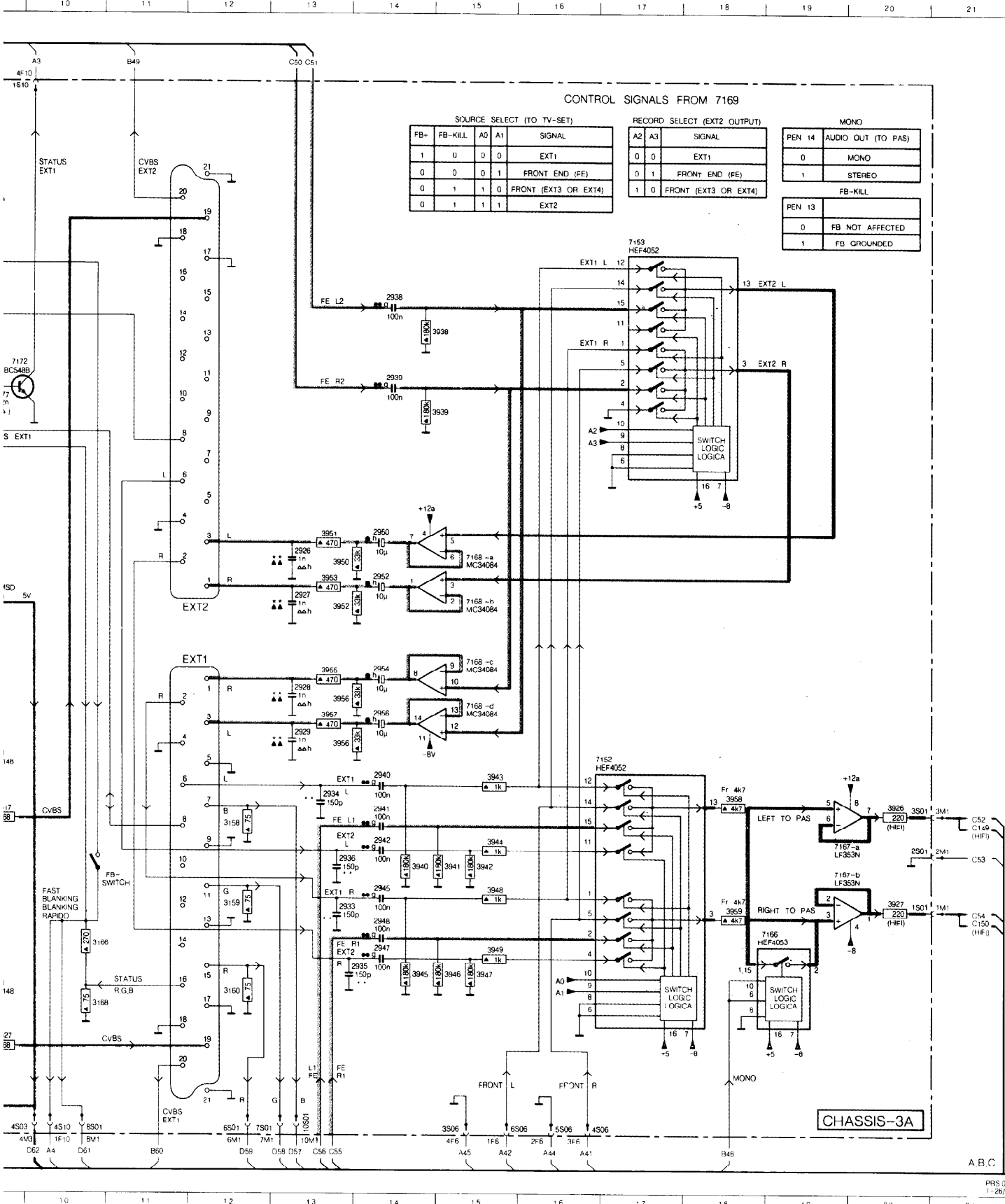
IV-F-6 CHASSIS 3A
1987-12-01

2154	H	2	2177	E	9	2521	L	8	2929	I	13	2936	K	13	2942	J	14	2952	G	14	3152	H	4	3157	G	4	3162	F	2	3169	C	9	3174	D	7	3502	G	8	3507	J	2	3514	J	7	3522	L	9	3527	M	9	3932
2155	I	2	2501	G	8	2525	M	8	2932	C	6	2938	D	14	2945	K	14	2954	H	14	3153	F	4	3158	K	12	3165	D	7	3170	E	8	3175	D	7	3503	G	9	3508	K	2	3515	J	8	3523	L	9	3926	J	20	3938
2156	J	2	2505	H	8	2925	G	13	2933	K	13	2939	E	14	2946	K	14	2956	I	14	3154	H	4	3159	K	12	3166	L	10	3171	E	7	3176	E	8	3504	G	7	3511	I	8	3516	K	8	3524	M	7	3927	K	20	3939
2157	F	2	2511	I	8	2927	G	13	2934	J	13	2940	J	14	2947	L	14	2957	H	14	3155	H	2	3160	L	10	3167	C	9	3172	E	7	3177	E	8	3505	G	8	3512	I	8	3517	J	9	3525	M	8	3930	B	6	3940
2162	F	2	2515	J	8	2928	I	13	2935	L	14	2941	J	14	2950	G	14	3151	G	2	3156	K	4	3161	F	2	3168	L	10	3173	D	8	3501	F	8	3506	H	8	3513	I	9	3521	L	8	3526	N	8	3931	B	6	3941

DIAGRAM-SCHALTBIKD-SCHEMA B.7



6	3507	J 2	3514	J 7	3522	L 8	3527	M 9	3932	C 6	3942	K 15	3947	L 15	3952	F 13	3957	I 13	6156	F 3	7150	F 6	7155	I 4	7167	J 19	7168	G 15	7501	G 8	7522	L 8
9	3508	K 2	3515	J 8	3523	L 9	3926	J 20	3938	D 15	3943	J 15	3948	K 15	3953	C 13	3958	J 18	6157	F 4	7151	I 6	7156	J 4	7167	K 19	7169	A 7	7502	G 8		
7	3511	I 8	3516	K 8	3524	M 7	3927	K 20	3939	F 15	3944	J 15	3949	L 15	3955	F 13	3959	K 18	6511	I 9	7152	I 17	7157	F 4	7168	H 15	7170	E 8	7511	J 8		
8	3512	I 8	3517	J 9	3525	M 6	3930	B 6	3940	K 14	3945	L 14	3950	G 13	3956	F 13	6154	F 3	6521	L 9	7153	C 17	7165	C 7	7168	I 15	7171	D 8	7512	J 8		
8	3513	I 9	3521	L 8	3526	N 8	3931	B 6	3941	K 15	3946	L 15	3951	G 13	3956	F 13	6155	F 4	7143	C 9	7154	H 4	7166	K 19	7168	G 15	7172	E 9	7521	M 8		



SOURCE SELECT (TO TV-SET)

FB+	FB-KILL	A0	A1	SIGNAL
1	0	0	0	EXT1
0	0	0	1	FRONT END (FE)
0	1	1	0	FRONT (EXT3 OR EXT4)
0	1	1	1	EXT2

RECORD SELECT (EXT2 OUTPUT)

A2	A3	SIGNAL
0	0	EXT1
0	1	FRONT END (FE)
1	0	FRONT (EXT3 OR EXT4)

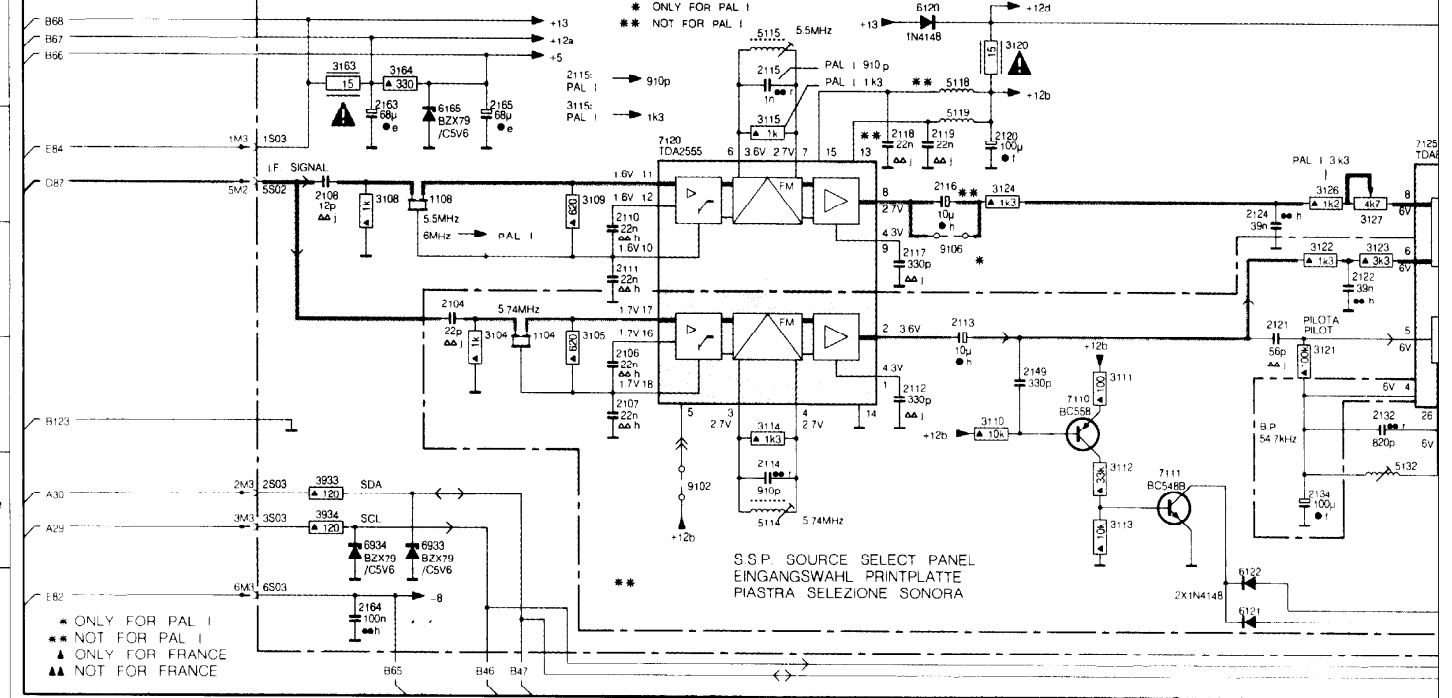
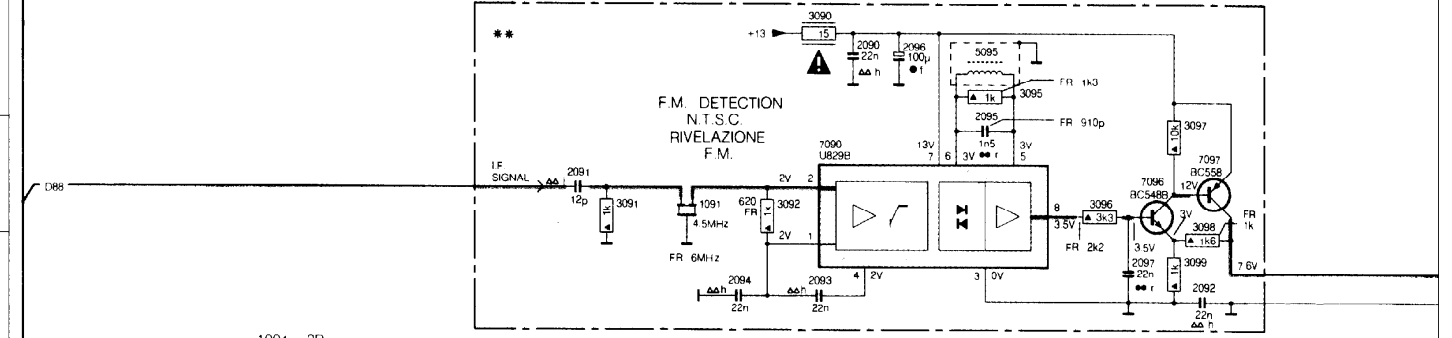
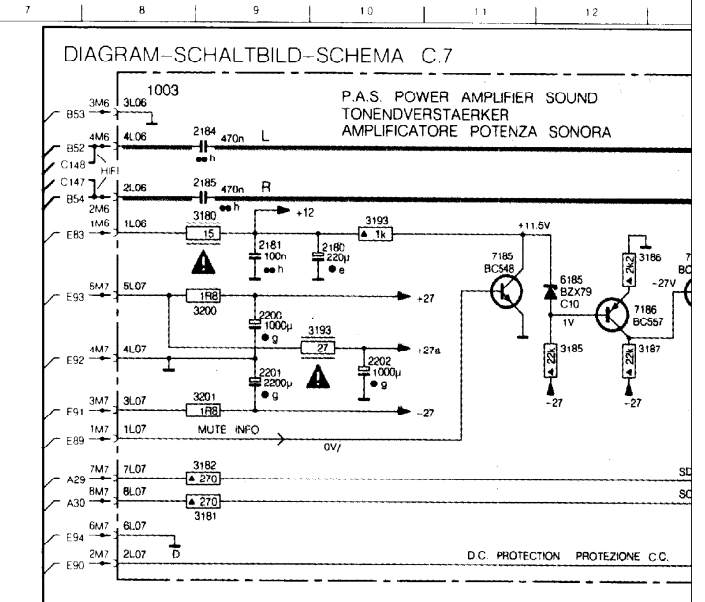
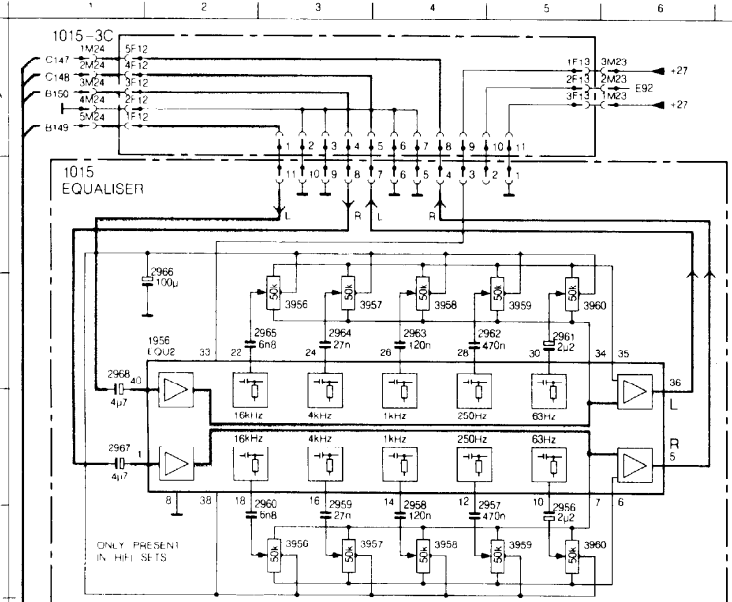
MONO

PEN 14	AUDIO OUT (TO PAS)
0	MONO
1	STEREO

PEN 13	FB-KILL
0	FB NOT AFFECTED
1	FB GROUNDED

CHASSIS 3A IV-F-9
1987-12-01

1001 H 3	1015 B 1	2037 K29	2043 K31	2097 H10	2112 L 8	2120 J 9	2130 I16	2138 M13	2165 I 5	2188 D19	2198 E18	2207 D22	2215 F21	2223 D23	2229 H27	2237 L24	2457
1003 A 8	1031 G 6	2038 L28	2090 E 8	2101 I15	2113 K 9	2121 K11	2131 I16	2139 L14	2180 B10	2189 A19	2200 C 9	2208 B23	2215 D23	2224 E21	2230 L23	2238 L24	2458
1004 A27	1104 K 5	2039 M28	2091 G 5	2104 K 4	2114 M 7	2122 K12	2131 I17	2140 M14	2181 B 9	2190 D18	2201 C 9	2209 C22	2217 F22	2225 F19	2231 J23	2239 K24	2459
1008 I22	1108 J 4	2040 N29	2092 H11	2106 L 6	2115 I 7	2124 J11	2132 I17	2142 M15	2182 C14	2191 D16	2202 C10	2210 C24	2218 F23	2226 F20	2232 M23	2240 M24	2460
1011 J27	1230 J26	2041 N29	2093 H 7	2107 L 6	2116 J 9	2125 I14	2133 K20	2143 M16	2183 C15	2192 D17	2203 B20	2211 C24	2219 F22	2227 F23	2233 K24	2241 J25	2461
1012 C31	1570 E27	2042 N30	2094 H 7	2108 J 3	2117 K 8	2126 I15	2134 M2	2149 L 9	2184 A 9	2193 D17	2204 C21	2212 F24	2220 F24	2228 D28	2234 M24	2242 M25	2462
1012 J27	1956 C 2	2043 N30	2095 F 8	2110 J 6	2118 J 8	2128 L16	2136 M14	2146 I 4	2185 B 9	2194 D19	2205 C21	2213 E20	2221 C21	2228 G27	2235 K25	2243 M23	2463
1013 A31	2036 K31	2044 N31	2096 F 8	2111 K 6	2119 J 9	2129 L16	2137 M15	2164 N 4	2186 E18	2195 A20	2206 A22	2214 E21	2222 C20	2229 D28	2236 M25	2245 E 5	2464

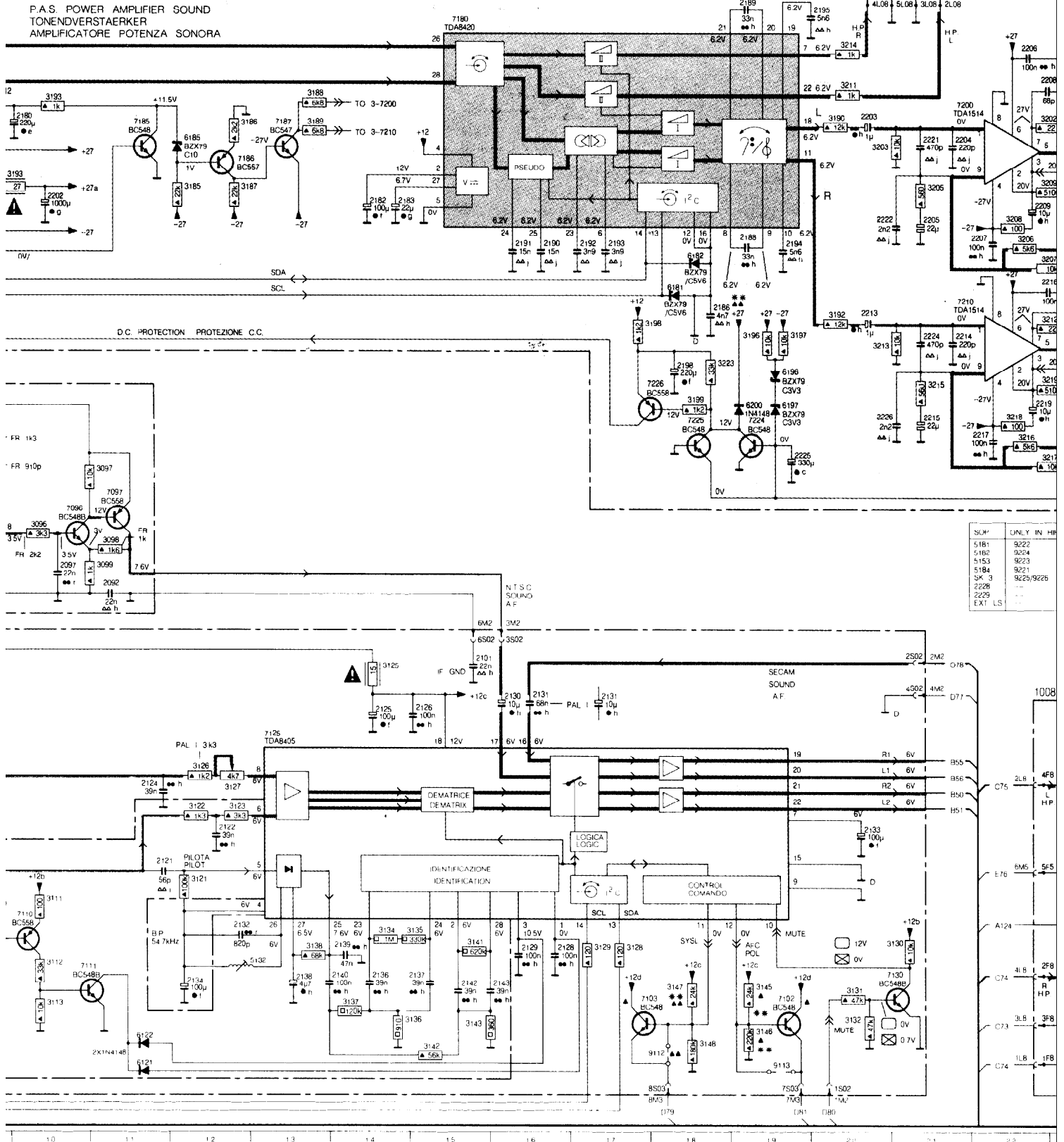


* ONLY FOR PAL I
 ** NOT FOR PAL I
 ▲ ONLY FOR FRANCE
 ▲▲ NOT FOR FRANCE

SSIS 3A IV-F-9
1987-12-01

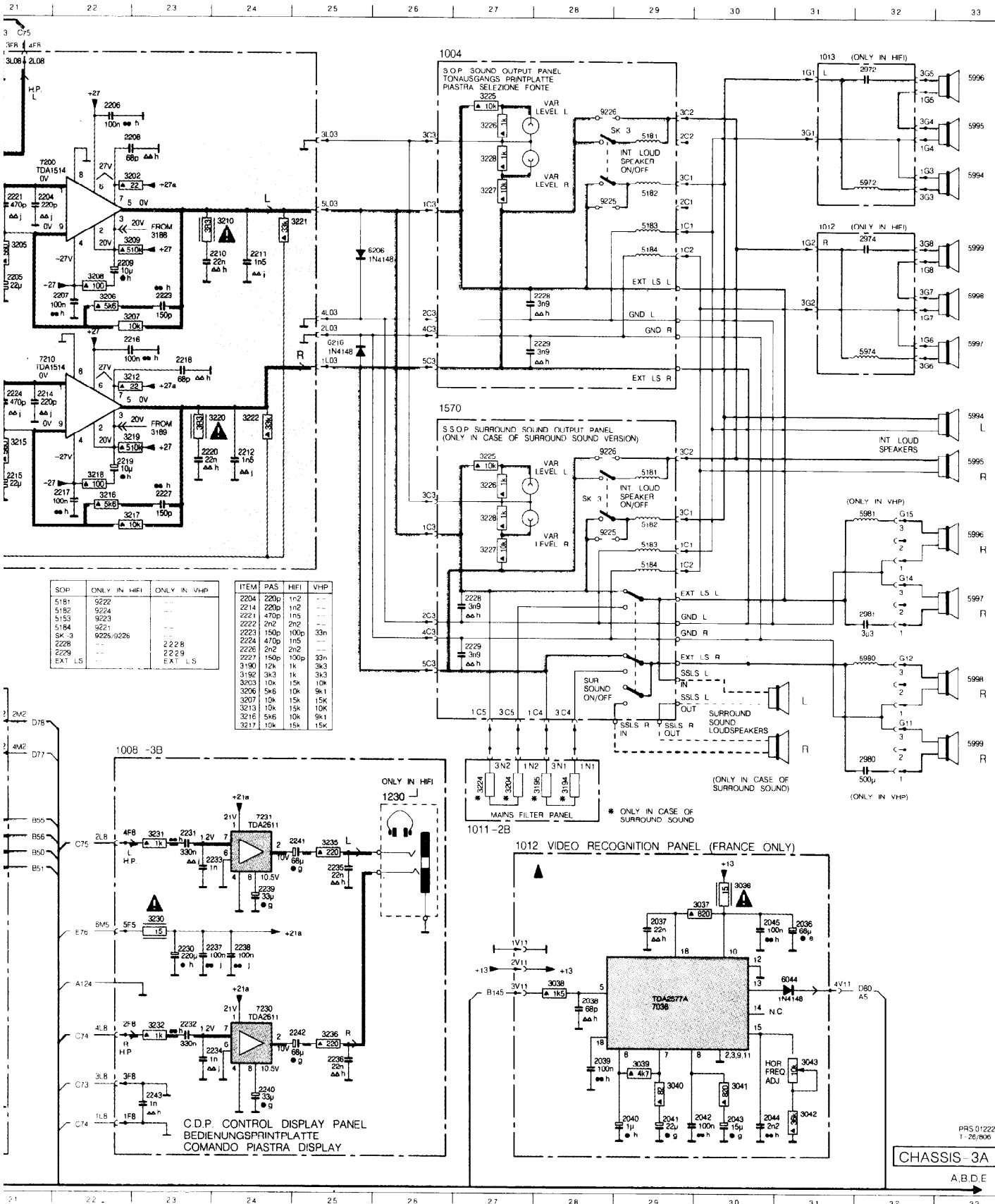
2	2215	F21	2223	D23	2229	H27	2237	L24	2957	D 5	2965	C 3	3036	K30	3090	F 7	3104	K 5	3114	L 7	3126	J12	3135	L15	3146	M19	3185	C12	3193	C10	3201	D 9	3209	C23	3217	F23
3	2216	D25	2224	L21	2230	L23	2238	L24	2958	D 4	2966	B 2	3037	K30	3091	G 6	3105	K 5	3115	J 7	3127	J12	3136	M15	3147	M18	3186	B13	3194	J28	3202	923	3210	C24	3218	F22
4	2217	F22	2225	F19	2231	J23	2239	K24	2959	D 3	2967	D 1	3038	L28	3092	G 7	3106	J 4	3120	I 9	3128	I17	3137	M14	3148	N18	3187	C13	3195	J28	3203	C20	3211	B20	3219	F23
5	2218	E23	2226	F20	2232	M23	2240	M24	2960	D 3	2968	C 1	3039	M29	3095	F 9	3109	J 5	3121	I17	3129	I17	3138	I13	3149	I 3	3188	R13	3196	F19	3204	J27	3212	E23	3220	E24
6	2219	F22	2227	F23	2233	K24	2241	J25	2961	C 5	2972	A32	3040	M29	3096	G10	3110	L 9	3122	K12	3130	L21	3141	L15	3164	I 4	3189	B13	3197	E19	3205	C21	3213	E20	3221	C25
7	2220	F24	2228	D28	2234	M24	2242	M25	2962	C 5	2974	C32	3041	M30	3097	G11	3111	L10	3123	K12	3131	M20	3142	N15	3160	B 9	3190	B20	3198	E18	3206	G22	3214	A20	3222	E24
8	2221	C21	2229	G27	2235	K25	2243	M23	2963	C 4	2980	I32	3042	N31	3098	G11	3112	M10	3124	J 9	3132	M20	3143	M15	3161	L 9	3192	E20	3199	F19	3207	C23	3215	F21	3223	E18
9	2222	C20	2229	D28	2236	M25	2964	E 5	2964	C 3	2981	H32	3043	M31	3099	H11	3113	M10	3125	I14	3134	L14	3145	M19	3182	D 9	3193	B10	3200	C 9	3208	C22	3216	F22	3224	J27

-SCHEMA C.7



SCHEM.	ONLY IN HP
5181	9222
5182	9224
5153	9223
5184	9221
SK 3	9226/9226
2226	...
2225	...
EXT. L.S.	...

D 9	3209	C23	3217	F23	3225	A27	3230	K23	3956	C 3	3960	C 5	5181	F29	5974	D32	5996	G33	6120	I 8	6197	F19	7096	G10	7130	M21	7225	F18	9225	C28
D23	3210	C24	3216	F22	3225	F27	3231	J23	3957	E 4	3959	F 9	5182	B29	5980	H32	5997	D33	6121	M11	6200	F19	7097	G11	7180	A15	7226	F18	9225	G28
C20	3211	B20	3219	E23	3226	B27	3232	M23	3957	C 4	5114	M 7	5182	F29	5981	F32	5997	G33	6122	M11	6206	C26	7102	M19	7185	B11	7230	L24	9226	A28
J27	3212	E23	3220	F24	3226	F27	3235	J25	3958	E 4	5115	I 7	5183	C29	5994	E33	5998	D33	6165	J 4	6216	D25	7103	M17	7186	C12	7231	J24	9226	F28
C21	3213	E20	3221	C25	3227	B27	3236	M25	3958	C 4	5118	I 9	5183	G29	5994	B33	5998	H33	6181	D18	6933	M 4	7110	L10	7187	B13	9102	M 6	SK 3	B29
D32	3214	A20	3222	E24	3227	G27	3933	M 3	3959	E 5	5119	J 9	5184	C29	5995	F33	5999	C33	6182	D18	6934	M 4	7111	M10	7200	B21	9106	K 9	SK 3	F28
D23	3215	F21	3223	F18	3228	B27	3934	M 3	3959	C 5	5132	M13	5184	G29	5995	B33	5999	I33	6185	C12	7036	L29	7120	J 6	7210	E21	9112	M18		
C22	3216	F22	3224	J27	3228	F27	3956	E 3	3960	E 5	5181	B29	5972	B32	5996	A33	6044	L31	6196	E19	7090	G 8	7125	J13	7224	F19	9113	N19		



ITEM	PAS	HIFI	VHP
2204	220p	1n2	---
2214	220p	1n2	---
2224	470p	1n5	---
2222	2n2	2n2	---
2223	150p	100p	33n
2224	470p	1n5	---
2225	2n2	2n2	---
2227	150p	100p	33n
3190	12k	1k	3k3
3192	3k3	1k	3k3
3033	10k	15k	10k
3206	5k6	10k	5k1
3207	10k	15k	15k
3213	10k	15k	10k
3216	5k6	10k	5k1
3217	10k	15k	15k

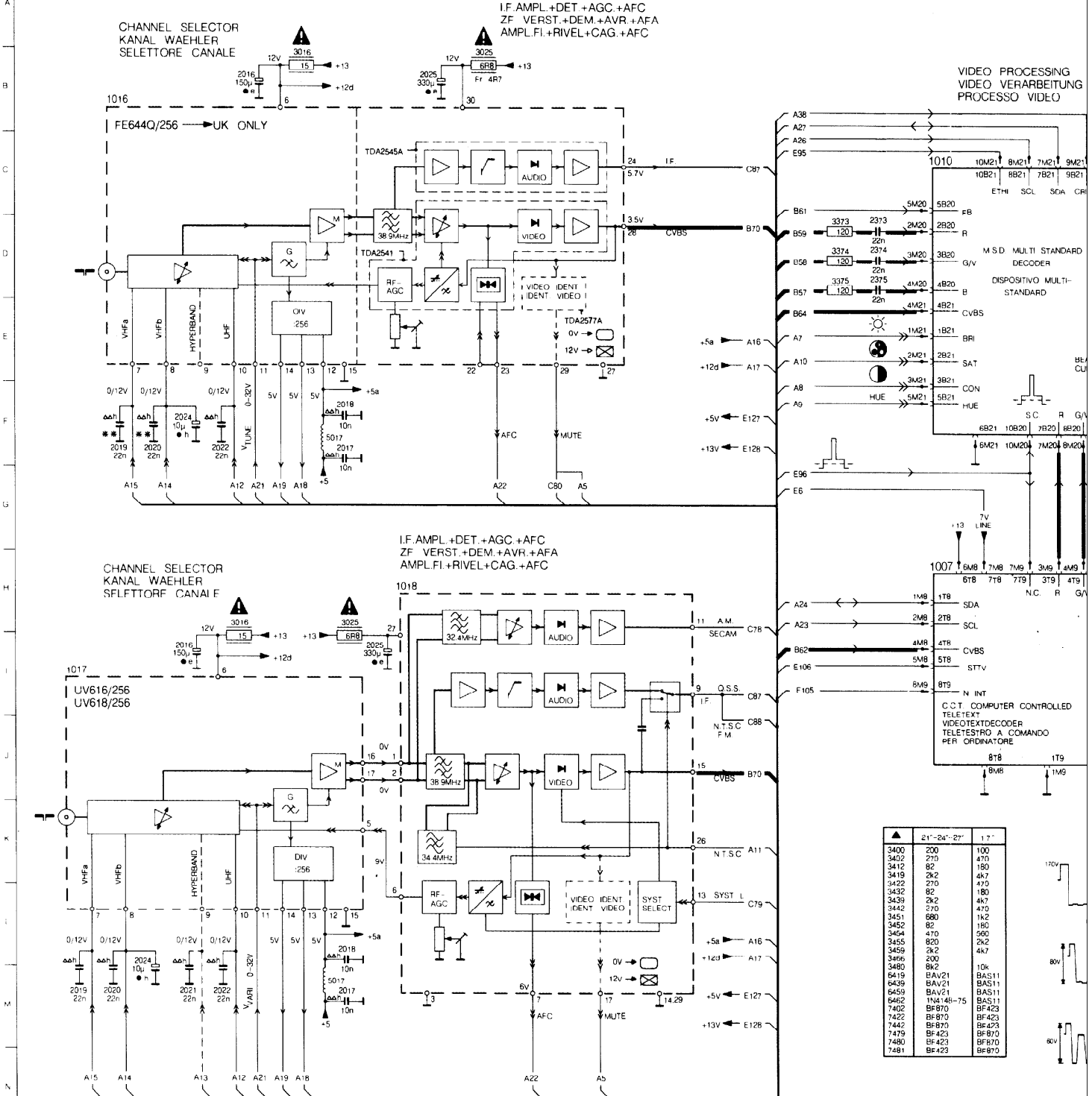
ONLY IN HIFI	ONLY IN VHP
5181	9222
5182	9224
5153	9223
5184	9221
SK-3	9226/9226
2228	2228
2229	2229
EXT LS	EXT LS

CHASSIS-3A
A.B.D.E

IV-F-10 CHASSIS 3A
1987-12-01

1002	A15	1474	K21	2017	M4	2020	M1	2025	B5	2402	A17	2433	G15	2471	J21	3016	H3	3400	L20	3407	C16	3414	D18	3423	F16	3430	H17	3439	F19	3447	L16		
1007	H11	1600	F32	2018	F4	2021	M2	2025	I5	2403	B17	2442	J17	2479	B18	3025	B6	3401	A16	3408	D16	3415	B17	3424	G17	3432	G17	3433	H18	3441	J16	3449	M17
1010	C11	1600	B22	2018	L4	2022	F3	2373	D11	2409	D17	2443	K17	2480	G18	3025	H4	3402	A17	3409	E17	3418	A18	3426	G17	3433	H18	3442	J17	3450	L17		
1016	B2	2016	B9	2019	F2	2022	M3	2374	D11	2422	F17	2462	G15	2481	K18	3373	D10	3403	B16	3410	D17	3419	C19	3427	G16	3434	I16	3443	K16	3451	M17		
1017	I1	2016	I2	2019	M1	2024	L2	2375	D11	2423	G17	2466	I20	2490	D15	3374	D10	3404	C17	3412	C17	3421	F16	3428	H16	3436	F17	3444	L17	3452	L17		
1018	H5	2017	F4	2020	F2	2024	F2	2400	M21	2429	H17	2470	I20	3016	B4	3375	D10	3406	C17	3413	D18	3422	F17	3429	H16	3438	F18	3446	K17	3453	L18		

DIAGRAM-SCHALTBIKD-SCHEMA D.7

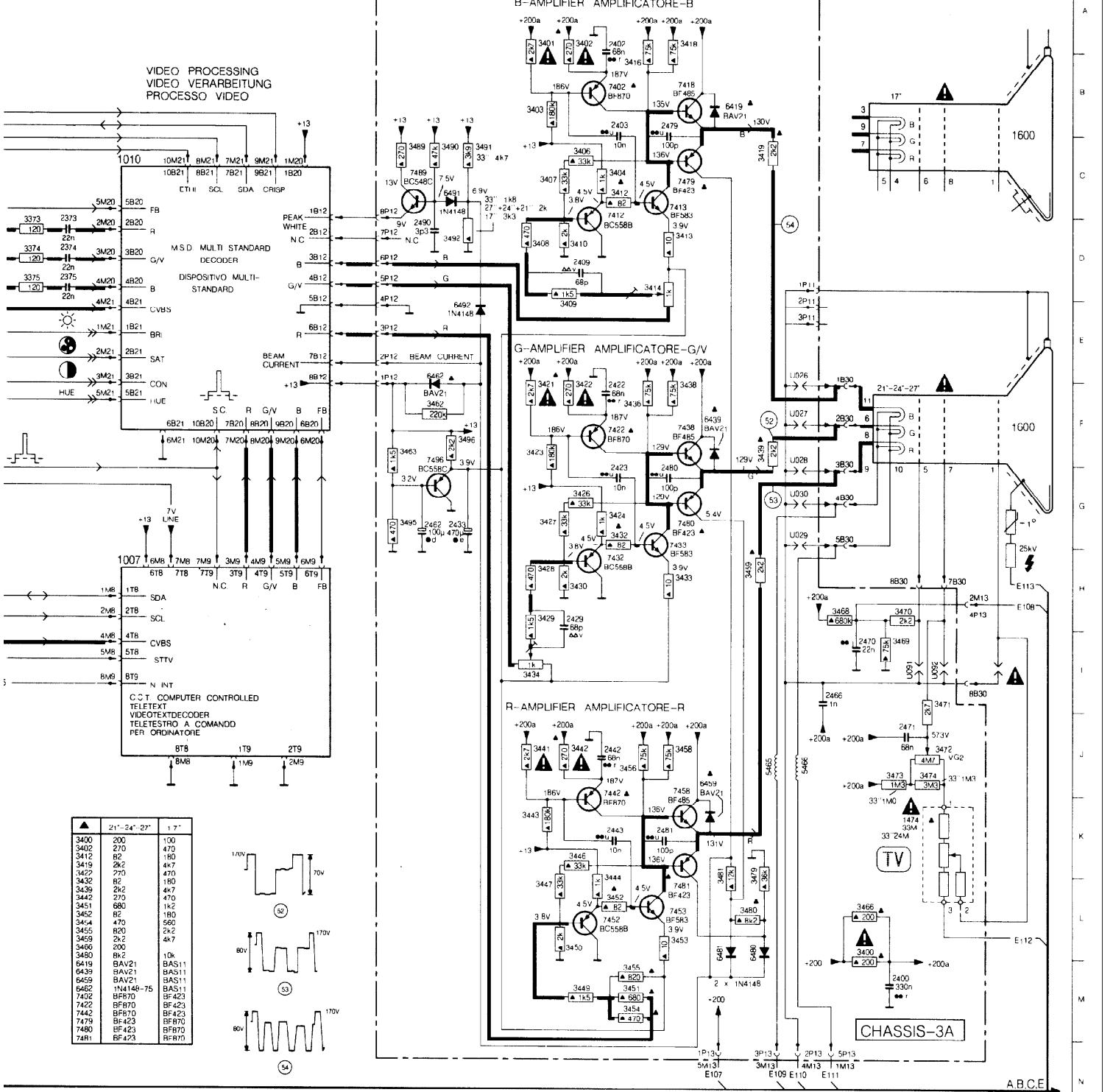


	21"-24"-27"	17"
3400	200	100
3402	270	470
3412	82	180
3419	2k2	4k7
3422	270	470
3432	82	180
3439	2k2	4k7
3442	270	470
3451	680	1k2
3452	82	180
3454	470	560
3455	820	2k2
3459	2k2	4k7
3466	200	10k
3480	8k2	BAS11
6419	BAV21	BAS11
6439	BAV21	BAS11
6459	BAV21	BAS11
6462	1N4148-75	BAS11
7402	BF870	BF423
7422	BF870	BF423
7442	BF870	BF423
7479	BF423	BF870
7480	BF423	BF870
7481	BF423	BF870

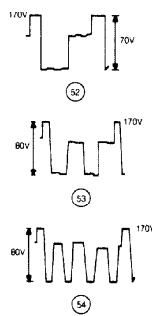
3423	F16	3430	H17	3439	F19	3447	L16	3454	M17	3463	F15	3472	J21	3489	C15	5017	F4	6459	J18	7402	B17	7433	G18	7479	C18
3424	G17	3432	G17	3441	J16	3449	M17	3455	M17	3466	L23	3473	J21	3490	C15	5017	M	6462	E15	7412	C17	7438	F18	7480	G18
3426	G17	3433	H18	3442	J17	3450	L17	3456	J17	3468	H20	3474	J21	3491	C16	5465	J19	6460	L19	7413	C18	7442	J17	7481	L18
3427	G16	3434	L16	3443	K16	3451	M17	3458	J18	3469	I21	3479	K19	3492	D15	5466	J19	6481	L18	7414	R18	7452	L17	7489	C15
3428	H16	3436	F17	3444	L17	3452	L17	3459	H19	3470	H21	3480	L19	3495	G15	6419	B19	6491	C15	7422	F17	7453	L18	7496	F15
3429	H16	3438	F18	3446	K17	3453	L18	3462	F15	3471	I21	3481	K18	3496	F15	6439	F18	6492	E15	7432	H17	7458	J18		

10 11 12 13 14 15 16 17 18 19 20 21 22

1002 P.T.P. PICTURE TUBE PANEL BILDROEHREN PRINTPLATE PANNELLO CINESCOPIO



	21'-24'-27'	17'
3400	200	100
3402	270	470
3412	82	180
3419	2k2	4k7
3422	270	470
3432	82	180
3439	2k2	4k7
3442	270	470
3451	680	1k2
3452	82	180
3454	470	560
3455	820	2k2
3459	2k2	4k7
3466	200	
3480	8k2	10k
6419	BAV21	BAS11
6439	BAV21	BAS11
6459	BAV21	BAS11
6462	1N4148-75	BAS11
7402	BF870	BF423
7422	BF870	BF423
7442	BF870	BF423
7479	BF423	BF870
7480	BF423	BF870
7481	BF423	BF870



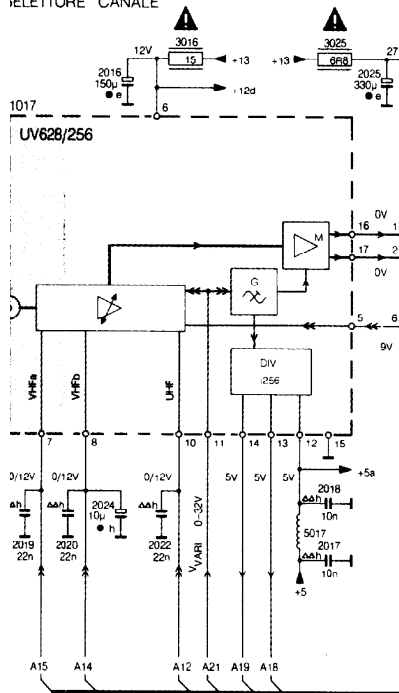
10 11 12 13 14 15 16 17 18 19 20 21 22

14	160J	B21	2020	M 1	2375	D10	2423	G16	2466	I19	2490	D14	3400	M19	3407	C16	3414	D17	3423	F15	3430	H16	3439	F18	3447	L15	3454	M16	3463	F14	347
11	1600	F21	2022	M 2	2400	M20	2429	H16	2470	I19	3016	H 2	3401	A15	3408	D15	3416	B17	3424	G16	3432	G16	3441	J15	3449	M16	3456	M16	3466	L19	347
1	2017	M 4	2025	I 4	2403	B16	2442	J16	2471	J20	3025	H 4	3402	A16	3409	E16	3418	A17	3426	G16	3433	H17	3442	J16	3450	L16	3456	J16	3468	H19	347
4	2018	L 4	2373	D10	2409	D16	2443	K16	2480	G17	3374	D 9	3403	B15	3410	D16	3419	C18	3427	G16	3434	L15	3443	K15	3451	M16	3458	J17	3469	L20	347
20	2019	M 1	2374	D10	2422	F16	2462	G14	2481	K17	3375	D 9	3406	C16	3413	D17	3422	F16	3429	H15	3438	F17	3446	K16	3453	L17	3462	F14	3471	L20	348

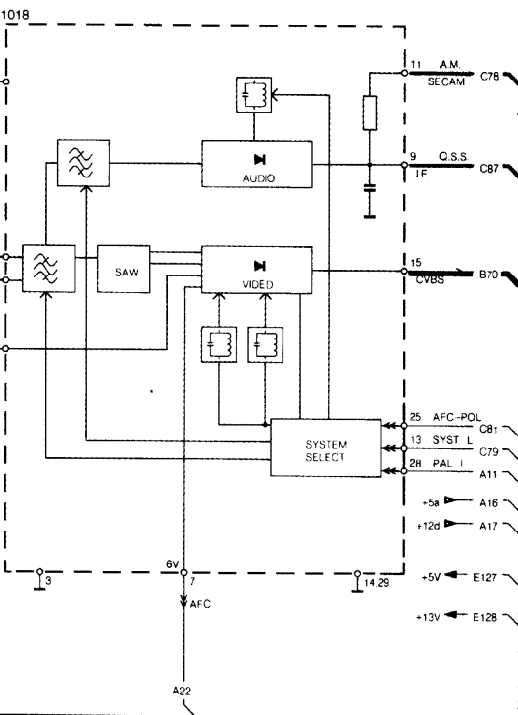
DIAGRAM-SCHALTBILD-SCHEMA D.7 FRANCE

▲	21"-24"-27"	17"
3400	200	100
3402	270	470
3412	82	180
3419	2k2	4k7
3422	270	470
3432	82	180
3439	2k2	4k7
3442	270	470
3451	680	1k2
3452	82	180
3454	470	560
3455	820	2k2
3459	2k2	4k7
3466	200	100
3490	10k	
6419	BAV21	BAS11
6439	BAV21	BAS11
6459	BAV21	BAS11
6462	BAV21	BAS11
7402	BF870	BF423
7422	BF870	BF423
7442	BF870	BF423
7479	BF423	BF870
7480	BF423	BF870
7481	BF423	BF870

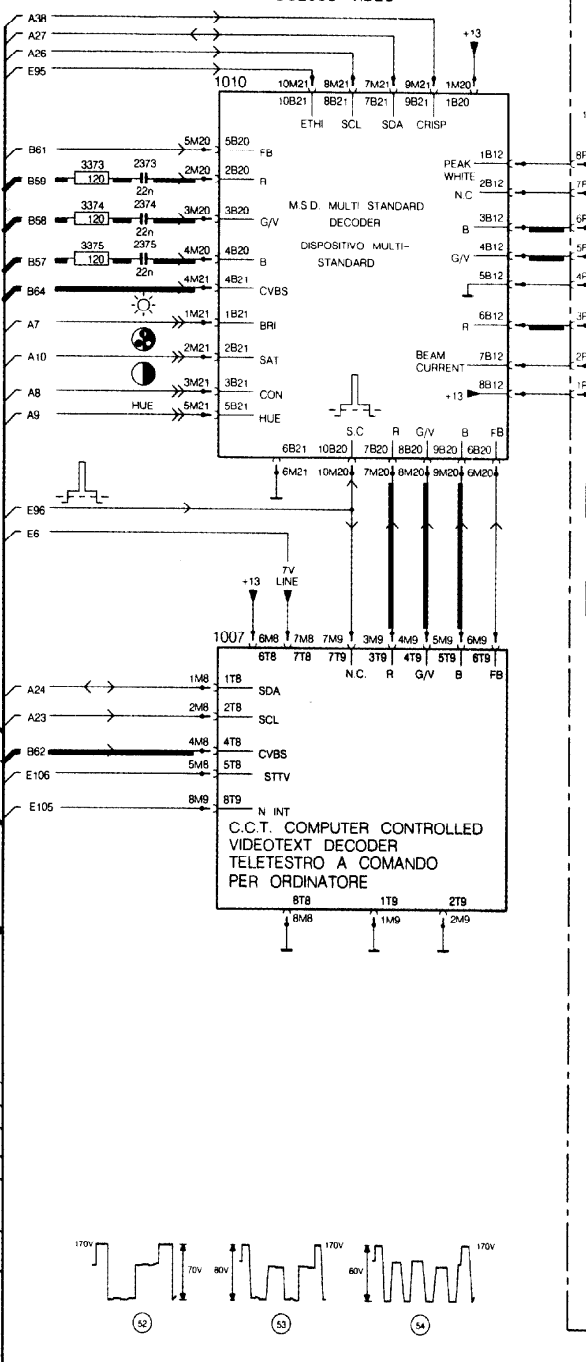
CHANNEL SELECTOR
CANAL WAHLER
SELETTORE CANALE



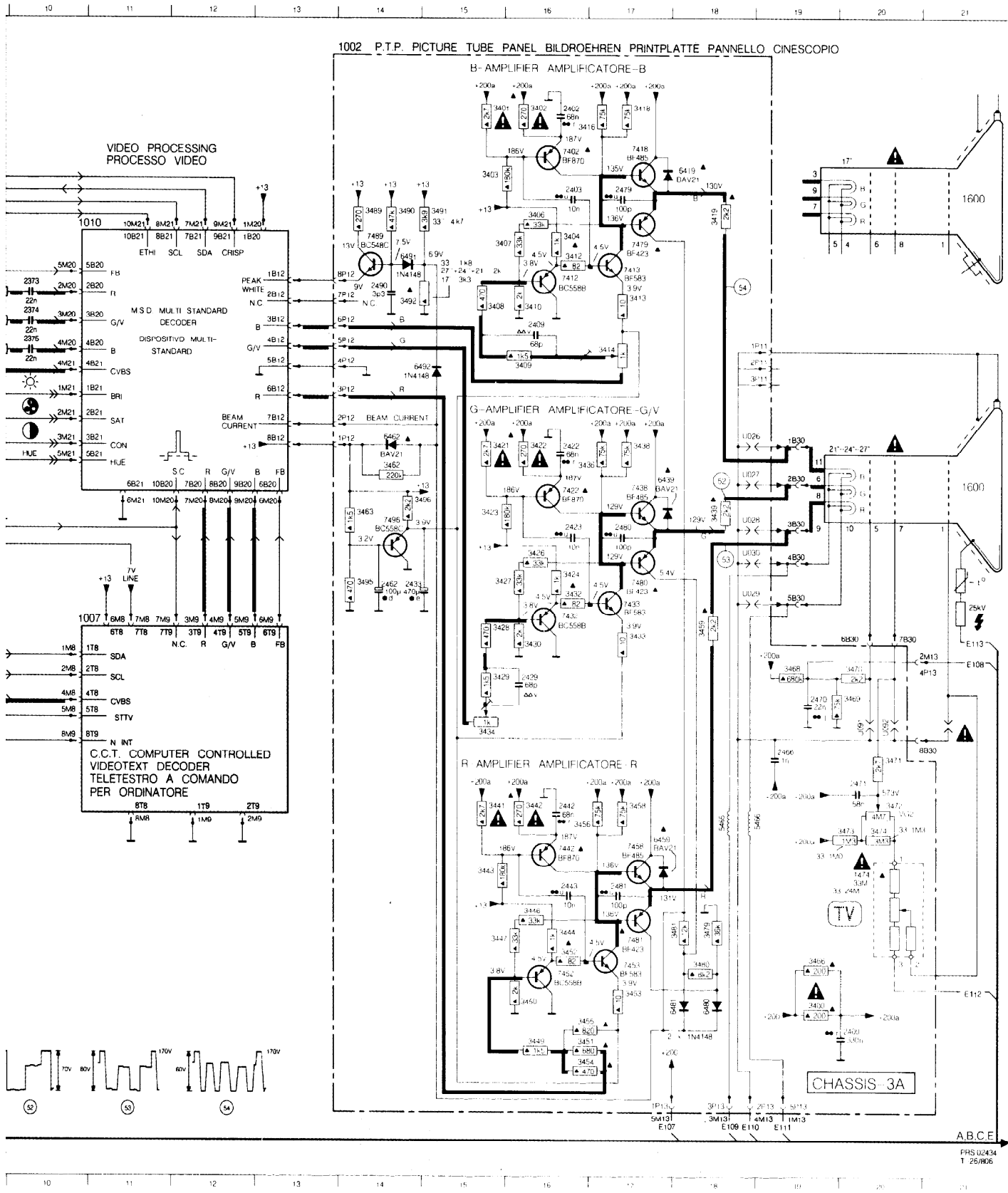
I.F. AMPL.+DET.+AGC.+AFC
ZF. VERST.+DEM.+AVR.+AFA
AMPL.FI.+RIVEL.+CAG.+AFC



VIDEO PROCESSING
PROCESSO VIDEO



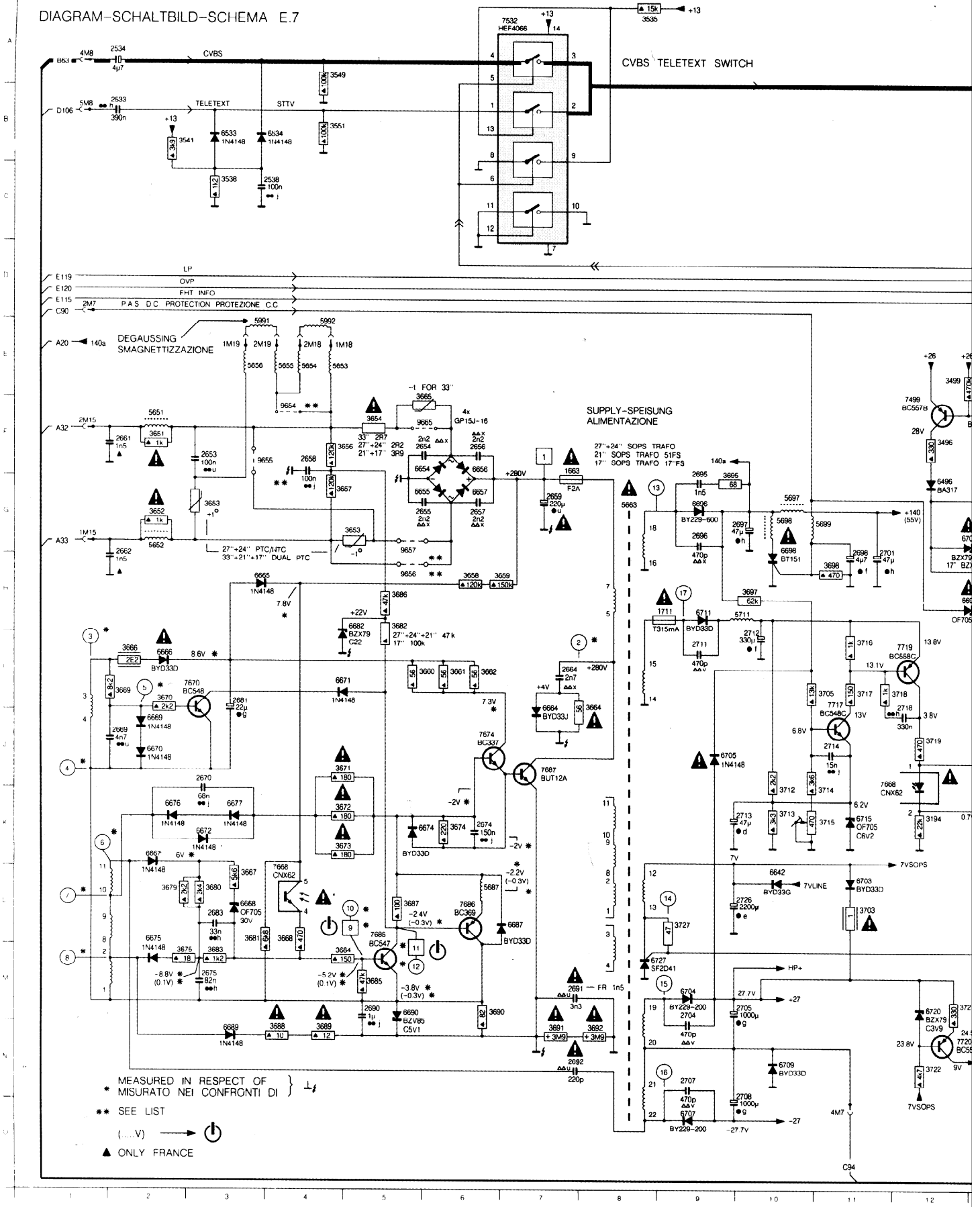
10	H16	3439	F18	3447	L15	3454	M16	3463	F14	3472	J20	3489	G14	5017	M3	6452	F14	7412	D16	7438	F17	7480	G17
12	G16	3441	J15	3449	M16	3455	M16	3466	L19	3473	J20	3490	C14	6465	J18	6480	M18	7413	C17	7442	K16	7481	L17
13	H17	3442	J15	3450	L16	3456	J16	3468	H19	3474	J20	3491	C15	5466	J19	6481	M18	7418	B17	7452	L16	7489	C14
14	I15	3443	K15	3451	M16	3458	J17	3469	I20	3479	L18	3492	D14	6419	B18	6491	C14	7422	F16	7453	L17	7496	G14
16	F17	3444	L16	3452	L16	3453	H18	3470	H20	3480	L18	3495	G14	6439	F17	6492	E15	7432	H16	7458	K17		
8	F17	3446	K16	3453	L17	3462	F14	3471	I20	3481	L18	3496	F15	6459	J17	7402	B16	7433	H17	7479	C17		



- PIC
- B
 - B
 - B
 - B
 - B
 - B
 - B
 - 5
 - 5
 - 3
 - 3
 - 3
 - 3
 - 3
 - 3
 - 3
 - 3
 - 3
 - 24
 - 24
 - V
 - 14
 - 14
 - S
 - S
 - F
 - V
 - A
 - B
 - C
 - E
 - F
 - G
 - H
 - I
 - J
 - K
 - L
 - M
 - N

FPS 102434
T 25/806

DIAGRAM-SCHALTBIKD-SCHEMA E.7

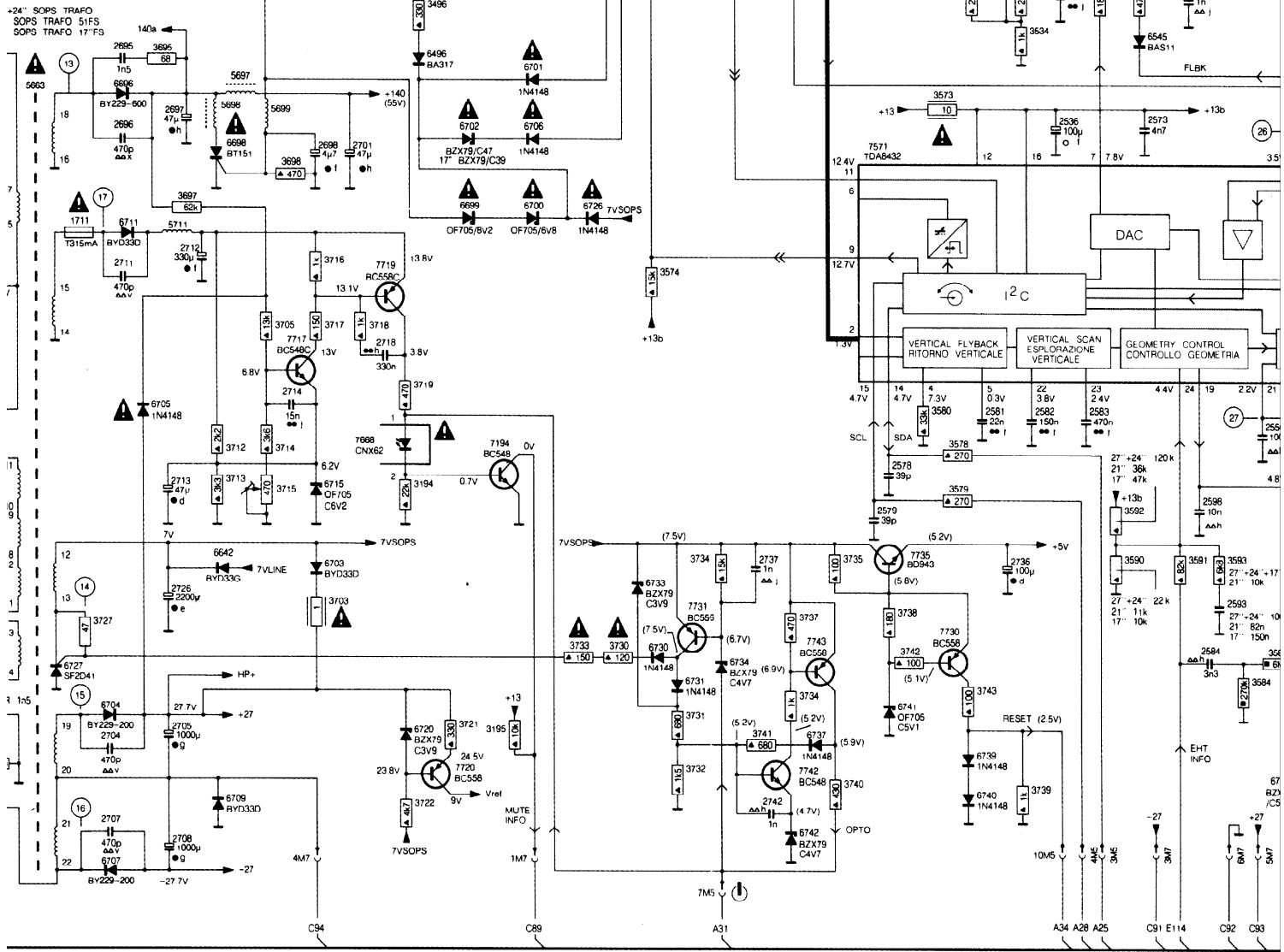


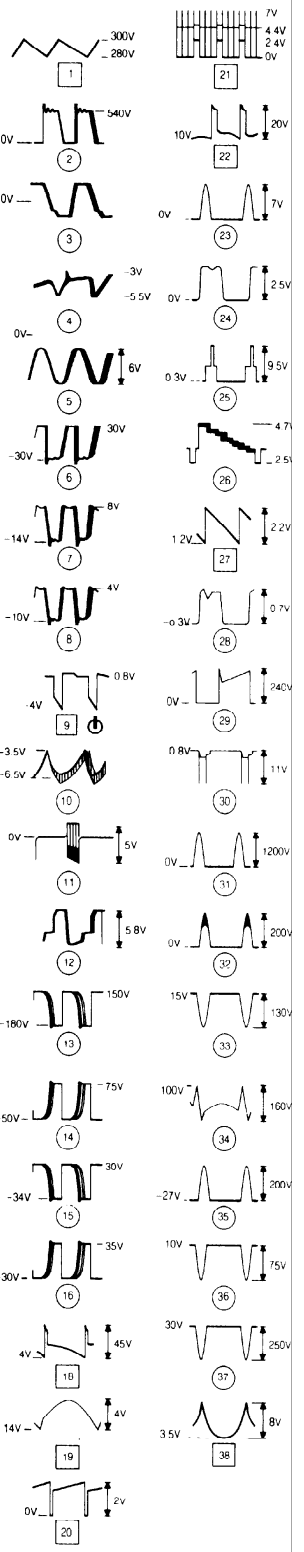
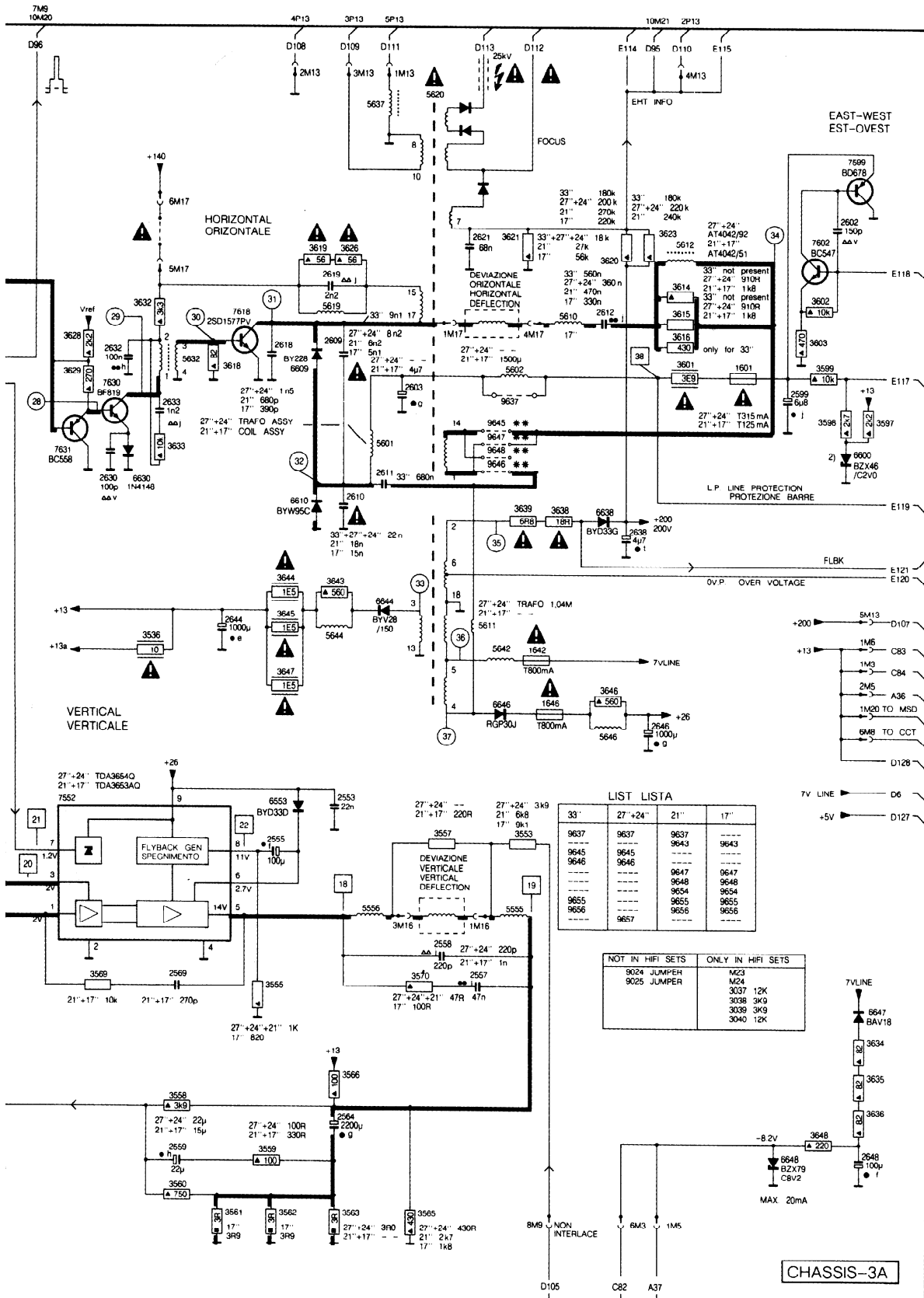
* MEASURED IN RESPECT OF MISURATO NEI CONFRONTI DI
** SEE LIST
(...V) → [Symbol]
▲ ONLY FRANCE

CVBS TELETEXT SWITCH

SYNCHRONISATION & GEOMETRY CONTROL
SINCRONIZZAZIONE & CONTROLLO GEOMETRIA

PLY-SPEISUNG
IENTAZIONE





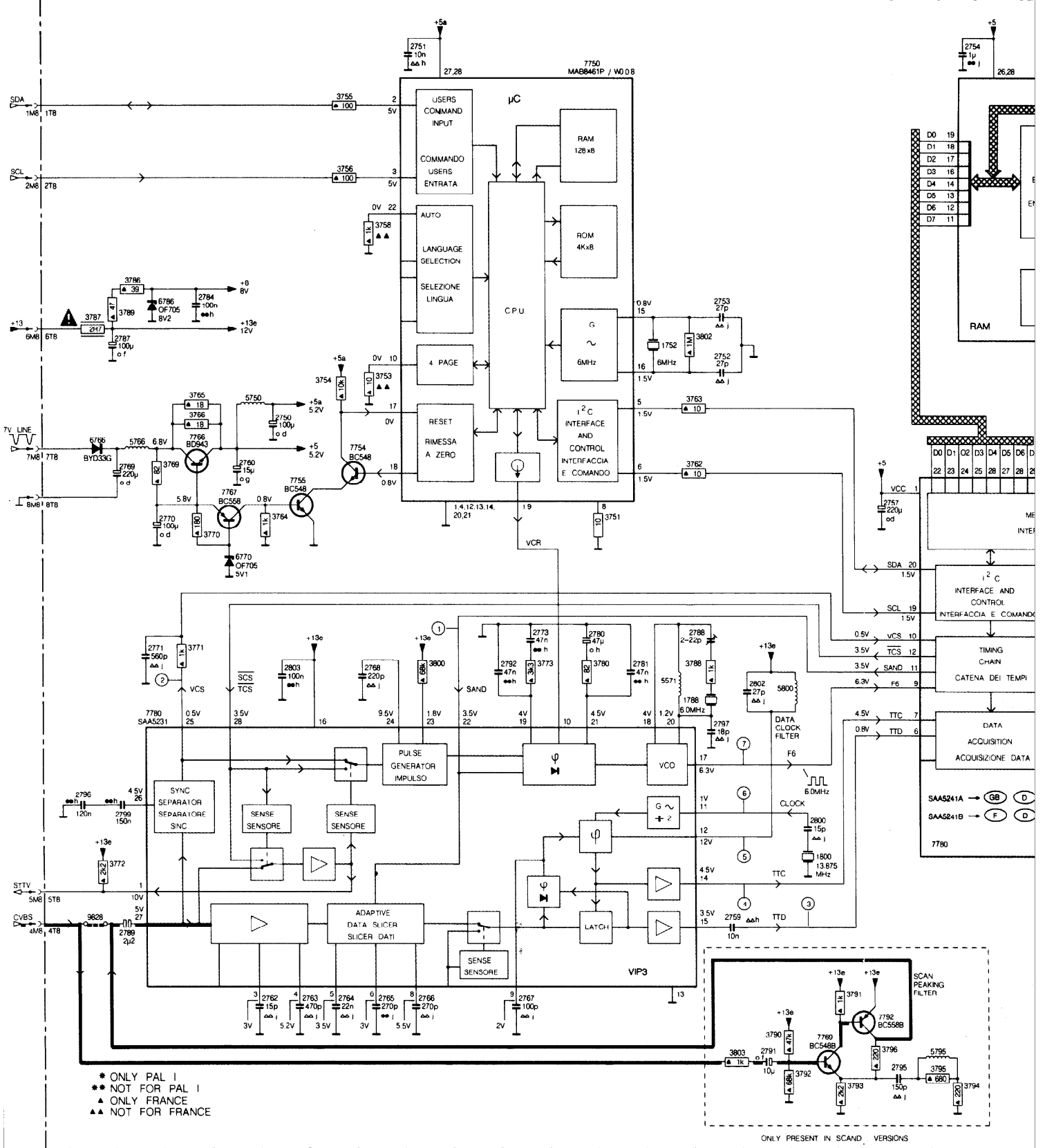
LIST LISTA

33"	27"+24"	21"	17"
9637	9637	9637	9643
9645	9645	9645	9647
9646	9646	9646	9648
9655	9655	9655	9654
9656	9656	9656	9655
	9657	9657	9656

NOT IN HI-FI SETS	ONLY IN HI-FI SETS
9024 JUMPER	M23
9025 JUMPER	M24
	3037 12K
	3038 3K9
	3039 3K9
	3040 12K

CHASSIS-3A

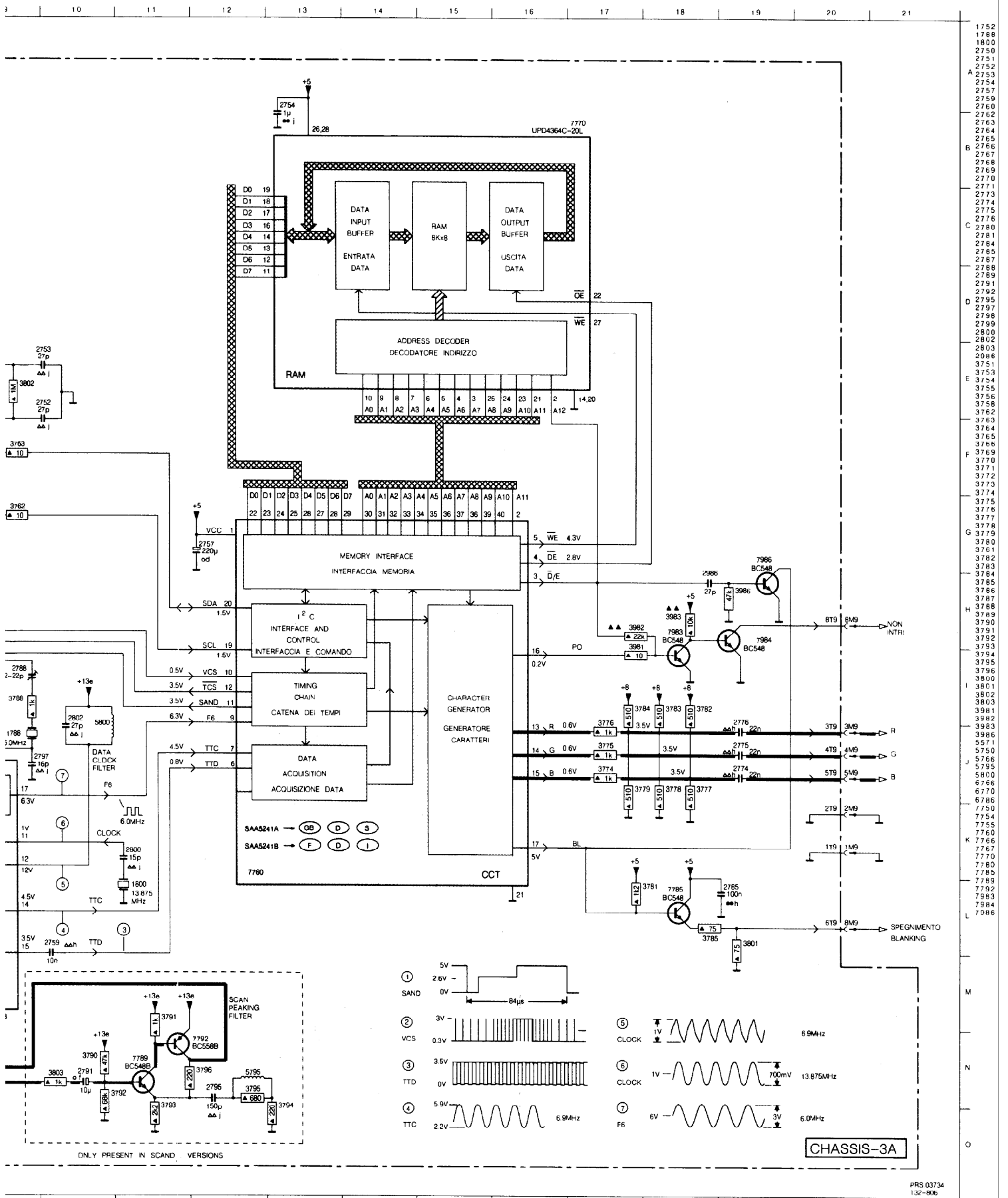
TXT/FLOF-DECODER .7



- * ONLY PAL I
- ** NOT FOR PAL II
- ▲ ONLY FRANCE
- ▲▲ NOT FOR FRANCE

ONLY PRESENT IN SCAND. VERSIONS

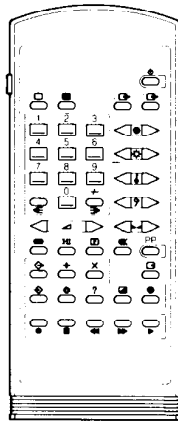
CHASSIS 3A VIII-E-1
1987-12-01



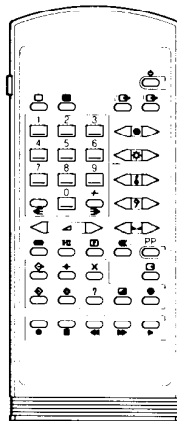
1752
1768
1800
2750
2751
2752
2753
2754
2757
2759
2760
2762
2763
2764
2765
2766
2767
2768
2769
2770
2771
2772
2773
2774
2775
2776
2777
2778
2779
2780
2781
2784
2785
2787
2788
2789
2791
2792
2799
2800
2802
2803
2998
3751
3753
3754
3755
3756
3758
3762
3763
3764
3765
3768
3769
3770
3771
3772
3773
3774
3775
3776
3777
3778
3779
3780
3781
3782
3783
3784
3785
3786
3787
3788
3789
3790
3791
3792
3793
3794
3795
3796
3800
3801
3802
3803
3981
3982
3983
3986
3988
3989
3992
3993
3994
3995
3996
3997
3998
3999
4000
4001
4002
4003
4004
4005
4006
4007
4008
4009
4010
4011
4012
4013
4014
4015
4016
4017
4018
4019
4020
4021
4022
4023
4024
4025
4026
4027
4028
4029
4030
4031
4032
4033
4034
4035
4036
4037
4038
4039
4040
4041
4042
4043
4044
4045
4046
4047
4048
4049
4050
4051
4052
4053
4054
4055
4056
4057
4058
4059
4060
4061
4062
4063
4064
4065
4066
4067
4068
4069
4070
4071
4072
4073
4074
4075
4076
4077
4078
4079
4080
4081
4082
4083
4084
4085
4086
4087
4088
4089
4090
4091
4092
4093
4094
4095
4096
4097
4098
4099
4100

M
N
O

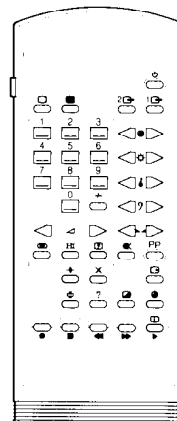
CHASSIS 3A XI-A-1
1987-12-01



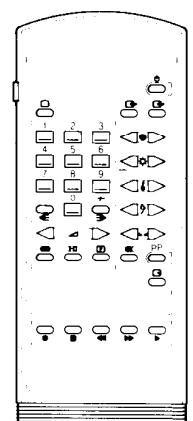
MDA 00579
T28/709



MDA 00579
T28/709



MDA 00914
T07-741



MDA 00577
T28/709

Type	RC5540	RC5541	RC5542	RC5545
Service code:	4822 218 20641	4822 218 20598	4822 218 20711	4822 212 22716
Replaced by:	—	RC5540	—	—
Type:	—	RC5540	—	—
Service code:	—	4822 218 20641	—	—